

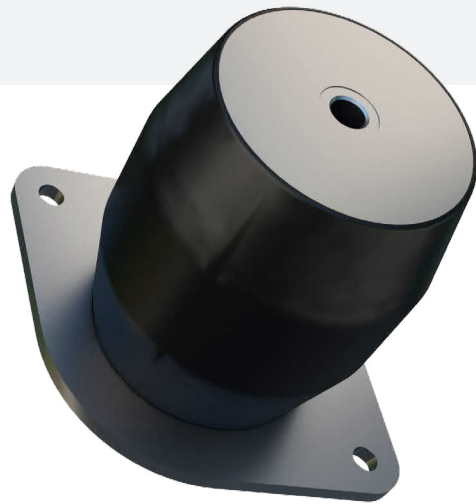
Spherical Roller Bearing (Tonnenlager)

Spherical roller bearings are ideal for their vertical loading and insulation against low-amplitude vibrations.

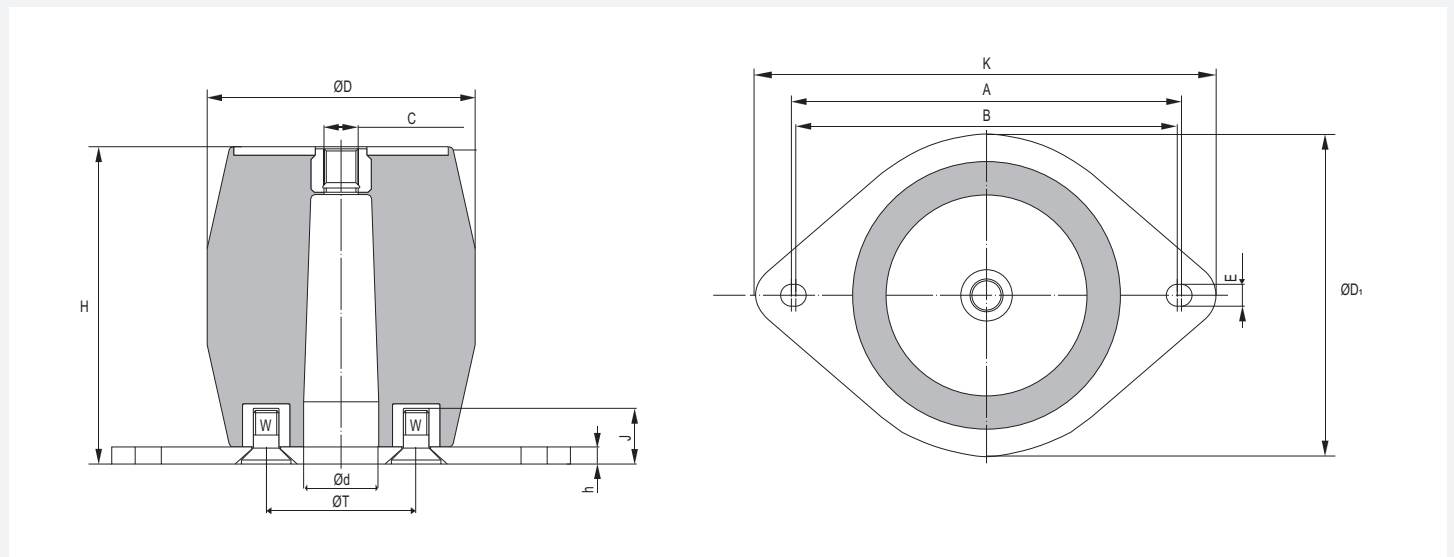
Masses that experience or themselves cause minor vibration amplitudes according to deflection can be mounted on spherical roller bearings. This makes this mount configuration suitable for selected engines, compressors, units, mounting equipment and also heavy duty switch cabinets, control systems, stationary control panels, measurement equipment.

Typical Applications Include:

- Engine
- Compressors
- Heavy duty switch cabinets
- Control systems
- Stationary control panels
- Measuring equipment



TECHNICAL DRAWING



PRODUCT DATA

DRAWING NO.	PART NO.	TYPE	DIMENSIONS (mm)										AXIAL		BOLT SIZE	MAX. BOLT TORQUE (Nm)		
			ØD	Ød	H	ØT	J	C	W	L	ØD ₁	E	STIFFNESS (N/mm)	MAX. LOAD (Kg)				
WITHOUT BASE PLATE																		
039 18 756/101	49040061	45 NR 511													180	900	M16 - 5.6	94.5
	49002648	58 NR 511	125	35	142	70	18	M16	M12	-	-	-		280	1380			
	49040132	70 NR 511													400	2000		

DRAWING NO.	PART NO.	TYPE	DIMENSIONS (mm)											AXIAL		BOLT SIZE	MAX. BOLT TORQUE (Nm)	
			ØD ₁	ØD	K	A	B	H	C	Ød	ØT	W	J	E	STIFFNESS (N/mm)			MAX. LOAD (Kg)
WITH BASE PLATE																		
039 18 756/111	49040133	45 NR 511													180	900	M16 - 5.6	94.5
	49040134	58 NR 511	150	125	214	182	178	150	M16	35	70	M12	26	10.2	280	1380		
	49040135	70 NR 511													400	2000		