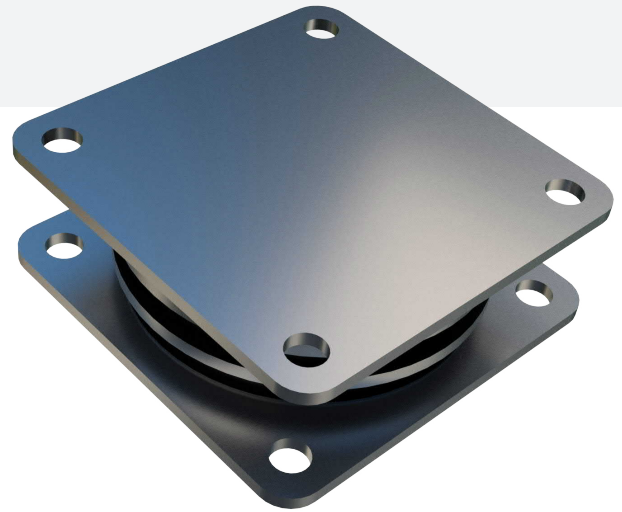


SAW Mounting

SAW mounts are heavy duty mountings for static and shock loads in compression. The mounts provide high isolation in the horizontal shear direction.

SAW mountings consist of a cylindrical shaped rubber section with integrally bonded interleaf metal plates, bonded between two square heavy duty outer metal fixing plates. Designed for large compressive forces with minimum deformation, while providing low shear stiffness rates. The combination of a stable low installation height, high compressive strength and low shear stiffness makes SAW a versatile high performance antivibration mounting. The 4 clearance holes in each fixing plate allow easy installation.

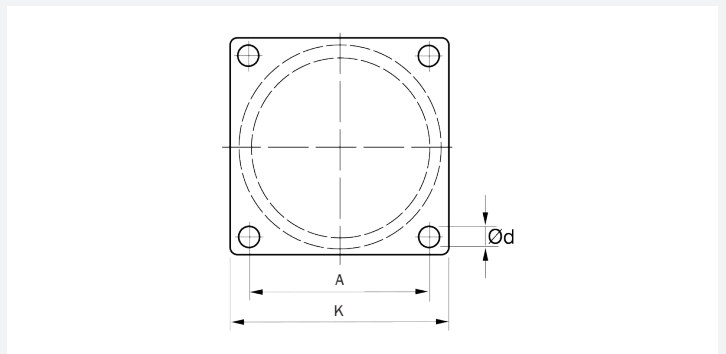
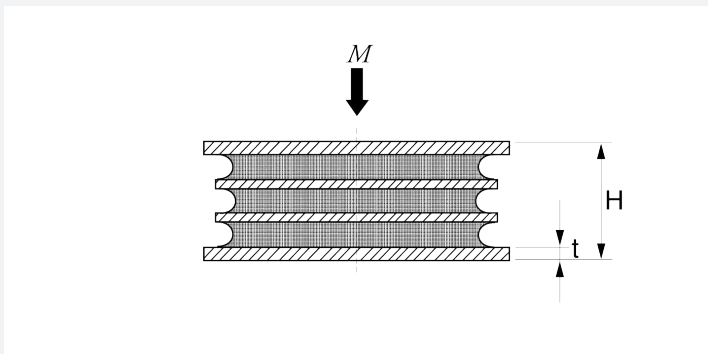
By connecting 2 SAW- elements in a series, i.e. one on top of the other, an increased isolation efficiency is achieved in both shear and compression planes. Where larger deflections are required in the vertical plane, SAW mountings are mounted at a calculated angle configuration to provide the optimum spring rate.



Typical Applications Include:

- Crushers
- Edge Runners
- Mills
- Hoppers and feeders
- Grinders
- Vibratory rollers
- Screens

TECHNICAL DRAWING



PRODUCT DATA

| TYPE | HARDNESS | DRAWING NO. | PART NO. | DIMENSIONS (mm) | | | | | MAX. LOAD (Kg) |
|---------|----------|-------------|----------|-----------------|-----|-----|------|----|----------------|
| | | | | A | K | H | Ød | t | |
| SAW 125 | 40 °IRHD | 17-4058 | 10-00141 | 118 | 148 | 52 | 13.5 | 5 | 2250 |
| | 60 °IRHD | | 10-00142 | | | | | | 4500 |
| SAW 150 | 40 °IRHD | 17-4059 | 10-00143 | 136 | 166 | 63 | 13.5 | 6 | 3750 |
| | 60 °IRHD | | 10-00144 | | | | | | 7500 |
| SAW 200 | 40 °IRHD | 17-4060 | 10-00075 | 184 | 220 | 82 | 17 | 8 | 6000 |
| | 60 °IRHD | | 10-00076 | | | | | | 12000 |
| SAW 300 | 40 °IRHD | 17-4061 | 10-00077 | 270 | 310 | 120 | 22 | 10 | 15000 |
| | 60 °IRHD | | 10-00078 | | | | | | 30000 |