

RAEM Mounting

The RAEM is a universal mounting for applications demanding MAXimum vibration isolation. It is a further development of the RA mount, where EM stands for 'extra movement' and is suitable for both light and heavy machines.

For normal speeds of 1500 RPM the RAEM type provides a degree of isolation of 85-95%, and gives good isolation with low frequency machines.

RAEM is a high performance mount, with a number of advantages:

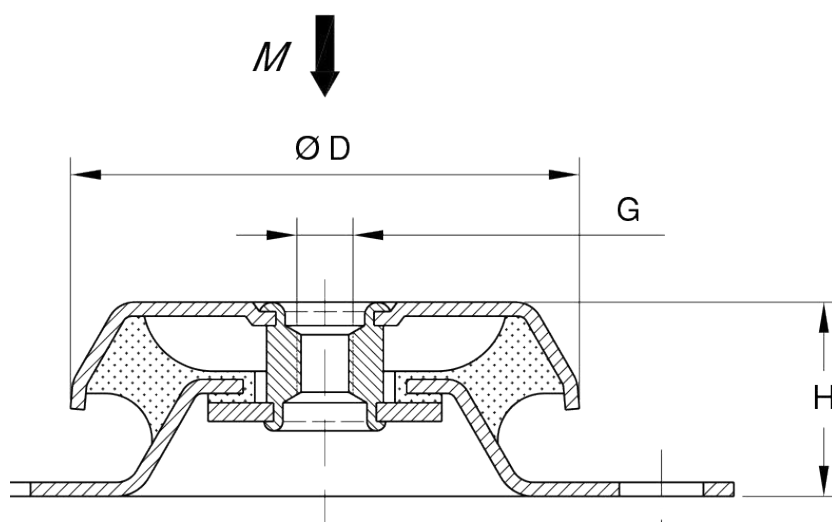
- RAEM offers nominally 70% extra deflection over standard RA mounts
- Wide load rating options, 30-3400 kg
- Corrosion protected to cope with arduous environments on land or marine applications
- Fitted as standard with an integral fail-safe device with resilient stop, making the RA ideal for use in mobile applications
- Domed shape cover to protect against oil contamination
- The RAEM mounts can accommodate occasional vertical shock loads up to 5G and shock loads up to 2G in other directions

Typical Applications Include:

- HVAC units
- Marine gensets
- Industrial gensets
- Refiners
- Compressors
- Industrial fans
- Large milling machinery



TECHNICAL DRAWING



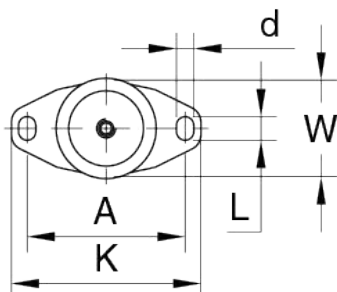
RAEM Mounting

PRODUCT DATA

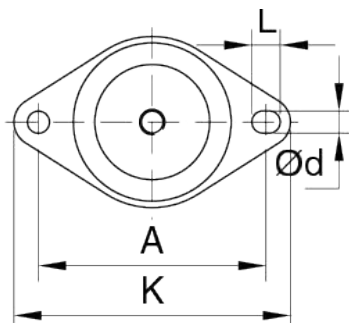
TYPE	HARDNESS	DRAWING NO.	PART NO.	DIMENSIONS (mm)							MAX. LOAD (Kg)	MAX. BOLT TORQUE (Nm)
				ØD	A	H	K	Ød	L	G		
RAEM 40	40 °IRHD	17-4023-1	10-00122	64	88	35.5	110	9	12	M10	30	15
	60 °IRHD	17-4024-1	10-00123								60	
RAEM 60	40 °IRHD	17-4025-1	10-00183	63	100	35.5	120	11	15	M12	60	25
	60 °IRHD	17-4026-2	10-00184								120	
RAEM 125	40 °IRHD	17-2336-1	10-00108	84	110	35.5	135	11	15	M10	80	15
	60 °IRHD	17-2338-1	10-00109								180	
	40 °IRHD	17-2336-2	10-00168							M12	80	25
	60 °IRHD	17-2338-2	10-00169								180	
RAEM 350	40 °IRHD	17-2341-1	10-00174	110	140-148	42	175	14	18	M12	200	25
	60 °IRHD	17-2342-1	10-00175								400	
	40 °IRHD	17-2341-2	10-00114							M16	200	50
	60 °IRHD	17-2342-2	10-00115								400	
RAEM 800	40 °IRHD	17-2347-2	10-00120	155	182	54	216	14	18	M16	450	50
	60 °IRHD	17-2348-1	10-00121								800	
RAEM 1500	40 °IRHD	17-4020-1	10-00158	182	146	85	180	14	-	M20	900	100
	60 °IRHD	17-4018-1	10-00159								1700	
RAEM 2500	40 °IRHD	17-4021-2	10-00160	224	180	105.5	220	17.5	-	M24	1700	200
	60 °IRHD	17-4022-1	10-00161								3400	

TECHNICAL DRAWING

RAEM60



RAEM30, RAEM40, RAEM125, RAEM350, RAEM800



RAEM1500, RAEM2500

