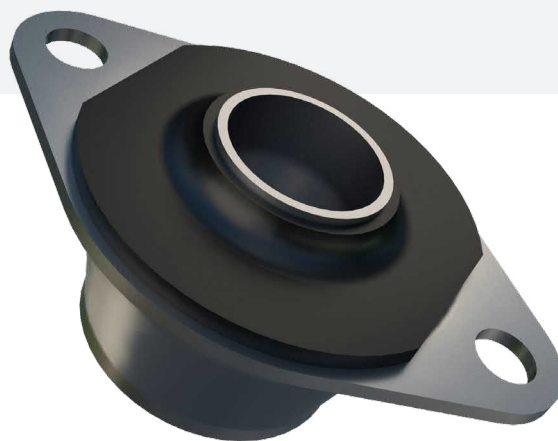


Metacone

The metacone product range is designed for high load capacity with relatively large static deflections. The high loading for a given size is achieved by utilizing the rubber to best advantage in shear and compression. Typically the mountings are assembled with overload and rebound washers to control and limit movement of the suspended equipment under shock loads. Centre fixing bolts should be torque tightened to the recommended values.

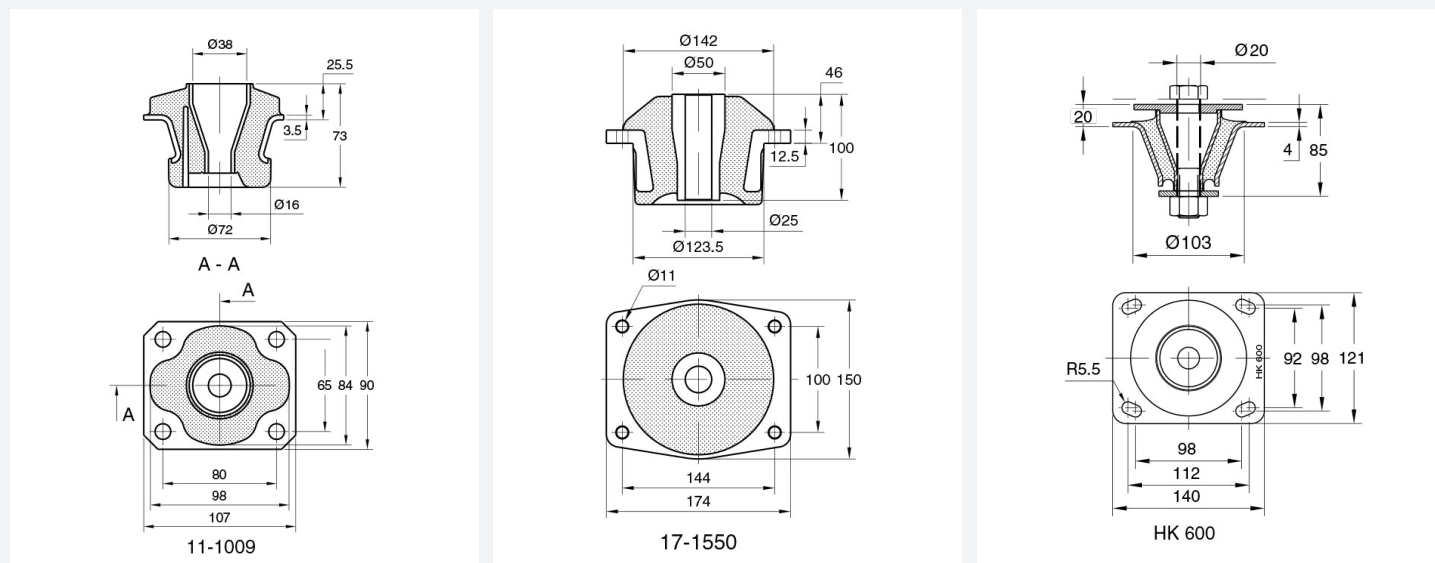
Their compact fail-safe design is available for a wide range of loadings, with in some cases, alternative fixings. Cut-outs in rubber sections on various sizes provide different vertical/horizontal stiffness ratio.



Typical Applications Include:

- Off-highway and road vehicle engines
- Vehicle cabs
- Oil tanks/ tankers

TECHNICAL DRAWING

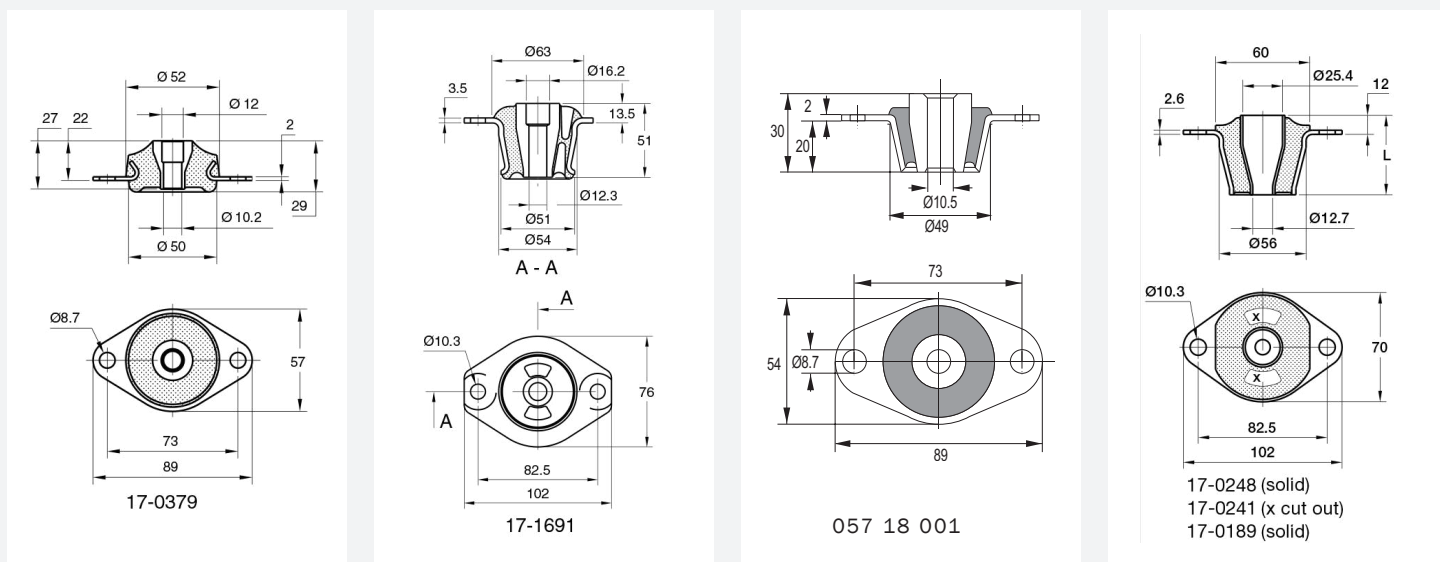


PRODUCT DATA

DRAWING NO.	PART NO.	TYPE	AXIAL (Z)		RADIAL (X)		RADIAL (Y)		BOLT SIZE	MAX. BOLT TORQUE (Nm)	TOP WASHER PART NO.	BOTTOM WASHER PART NO.
			STIFFNESS (N/mm)	MAX. LOAD (Kg)	STIFFNESS (N/mm)	MAX. LOAD (Kg)	STIFFNESS (N/mm)	MAX. LOAD (Kg)				
METACONE												
11-1009	10-00192	45 °IRHD	196	140	192	30	520	85	M16	75	20-00532	20-00532
	10-00193	55 °IRHD	300	200	295	45	875	145				
17-1550	10-02605	45 °IRHD	588	720	1400	315	1400	315	M24	260	20-00534	20-00534
	10-02271	60 °IRHD	995	1250	2630	590	2630	590				
17-4040	10-00190	HK 600-40 °IRHD	1500	940	2750	305	2750	305	M20	160	20-00643	20-00644
	10-00191	HK 600-60 °IRHD	2650	1700	4700	525	4700	525				
	10-00064	HK 600-70 °IRHD	3900	2300	6900	775	6900	775				

Metacone

TECHNICAL DRAWING



PRODUCT DATA

DRAWING NO.	PART NO.	TYPE	AXIAL (Z)		RADIAL (X)		RADIAL (Y)		BOLT SIZE	MAX. BOLT TORQUE (Nm)	TOP WASHER PART NO.	BOTTOM WASHER PART NO.
			STIFFNESS (N/mm)	MAX. LOAD (Kg)	STIFFNESS (N/mm)	MAX. LOAD (Kg)	STIFFNESS (N/mm)	MAX. LOAD (Kg)				
METACONE												
17-0379	10-00402	45 °IRHD	97	35	300	32	300	32	M10	25	20-00531	20-00531
	10-00404	60 °IRHD	190	70	520	65	520	65				
17-1691	10-00566	45 °IRHD	215	72	626	60	1400	130	M12	90	20-00535	20-00536
	10-00567	60 °IRHD	450	144	1252	115	2800	260				
057 18 001	90905	45 NR 11	160	55	1000	100	1000	100	M10-5,6	25	49056605	49056605
	90810	60 NR 11	260	90	1800	180	1800	180				
	49018563	60 AEM 33	260	90	1800	180	1800	180				
	91056	70 NR 11	310	110	2200	220	2200	220				
	93602	75 NR 11	370	130	2600	260	2600	260				
17-0241	10-00374	45 °IRHD	166	62	460	50	920	95	M12	40	20-00529	10-03666
	10-00375	60 °IRHD	333	122	920	95	1840	190				
17-0248	10-00379	45 °IRHD	250	95	1600	195	1600	195	M12	40	20-00529	10-03666
	10-00380	60 °IRHD	500	190	3250	400	3250	400				
17-0189	10-00365	45 °IRHD	428	145	1205	125	1205	125	M12	40	20-00529	10-03666
	10-00367	70 °IRHD	1180	400	3550	360	3550	360				

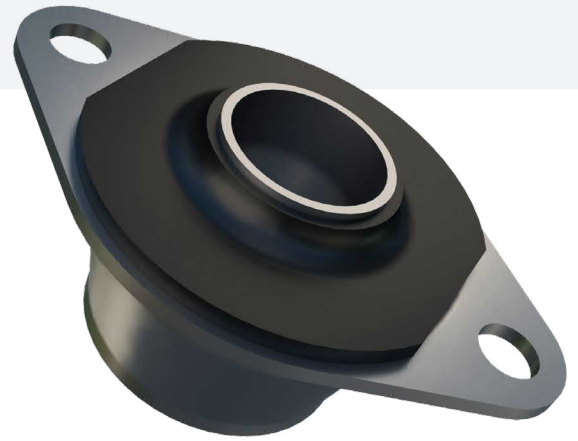
Metacone

The metacone product range is designed for high load capacity with relatively large static deflections. The high loading for a given size is achieved by utilizing the rubber to best advantage in shear and compression. Typically the mountings are assembled with overload and rebound washers to control and limit movement of the suspended equipment under shock loads. Centre fixing bolts should be torque tightened to the recommended values.

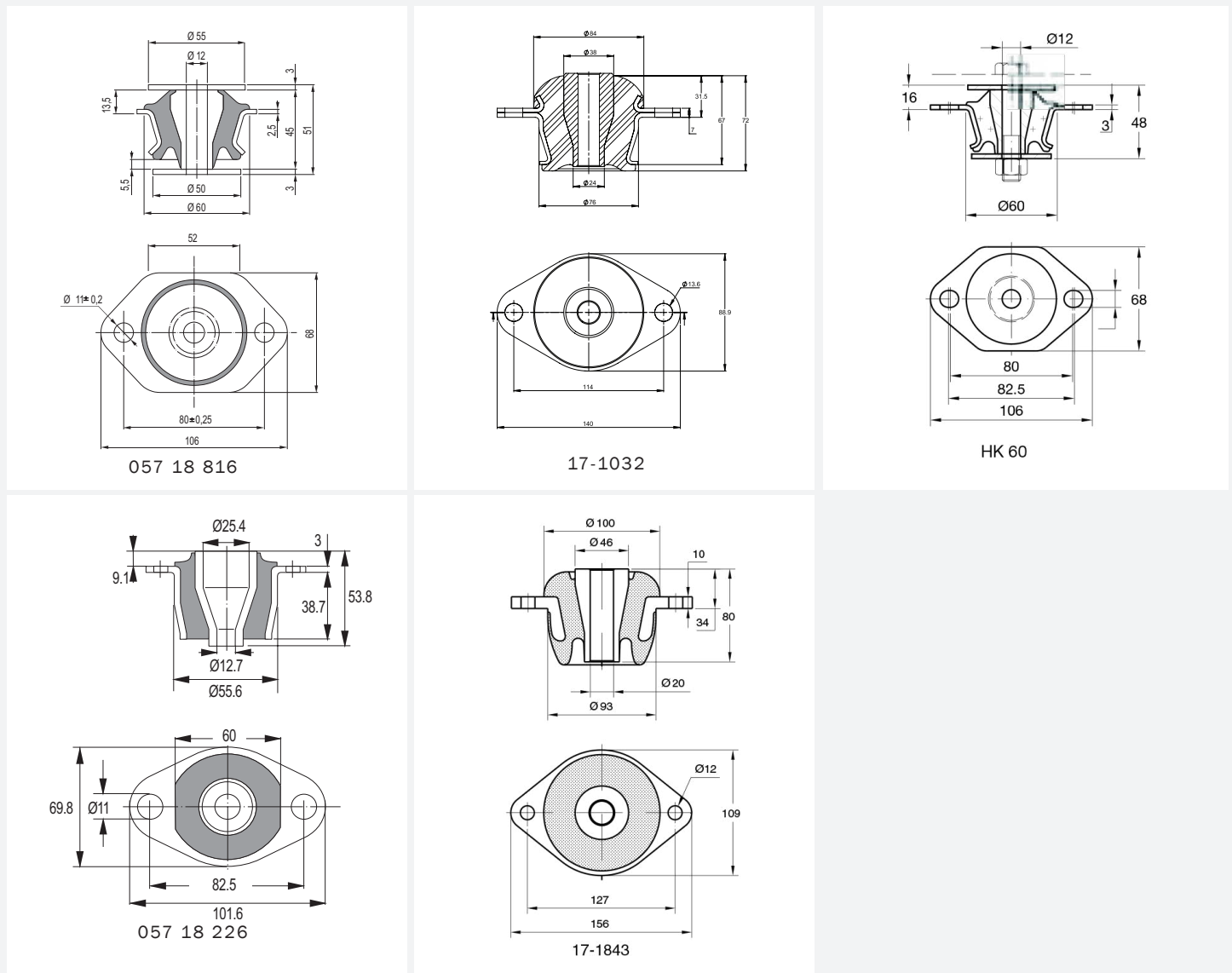
Their compact fail-safe design is available for a wide range of loadings, with in some cases, alternative fixings. Cut-outs in rubber sections on various sizes provide different vertical/horizontal stiffness ratio.

Typical Applications Include:

- Off-highway and road vehicle engines
- Vehicle cabs
- Oil tanks/ tankers



TECHNICAL DRAWING



Metacone

PRODUCT DATA

DRAWING NO.	PART NO.	TYPE	AXIAL (Z)		RADIAL (X)		RADIAL (Y)		BOLT SIZE	MAX. BOLT TORQUE (Nm)	TOP WASHER PART NO.	BOTTOM WASHER PART NO.
			STIFFNESS (N/mm)	MAX. LOAD (Kg)	STIFFNESS (N/mm)	MAX. LOAD (Kg)	STIFFNESS (N/mm)	MAX. LOAD (Kg)				
057 18 816	49047034	45 NR	240	70	640	100	640	100	M12-6.8	65	INCLUDED	INCLUDED
	49029370	55 NR	370	110	960	145	960	145				
	49047035	60 NR	460	140	1200	180	1200	180				
	49047036	70 NR	720	220	1800	270	1800	270				
	60900823	70 SILICONE	720	220	1800	270	1800	270				
17-1032	10-02194	45 EPDM	492	250	490	75	975	75	M16	135	20-00532	20-00532
	10-02905	45 °IRHD	492	250	490	75	975	75				
	10-02977	60 °IRHD	860	470	975	150	1950	150				
17-4039	10-01119	HK 60-40 °IRHD	200	90	520	90	520	90	M12	40	20-01103	20-00416
	10-01122	HK 60-50 °IRHD	256	115	760	115	760	115				
	10-01120	HK 60-60 °IRHD	405	180	1200	180	1200	180				
	10-01121	HK 60-70 °IRHD	560	250	1760	250	1760	250				
057 18 226	93947	45 NR 511	480	230	1900	120	1900	120	M12-5.6	40	97138	93950 / 93127
	2129296	45 NR 39	480	230	1900	120	1900	120				
	49019621	55 NBR 68	670	340	2600	170	2600	170				
	93948	65 NR 511	950	420	3700	200	3700	200				
	93949	75 NR 511	1330	520	5000	300	5000	300				
17-1843	20-02529	45 °IRHD	520	320	870	140	870	140	M24	160	20-00533	20-00533
	10-03505	50 °IRHD	660	380	1100	180	1100	180				
	10-00610	60 °IRHD	1060	600	2800	450	2800	450				
	20-02533	60 LOW CREEP NR	1060	600	2800	450	2800	450				
	10-03002	36X60	1060	600	2800	450	2800	450				
	10-02254	60 HIGH TEMP NR	1060	600	2800	450	2800	450				

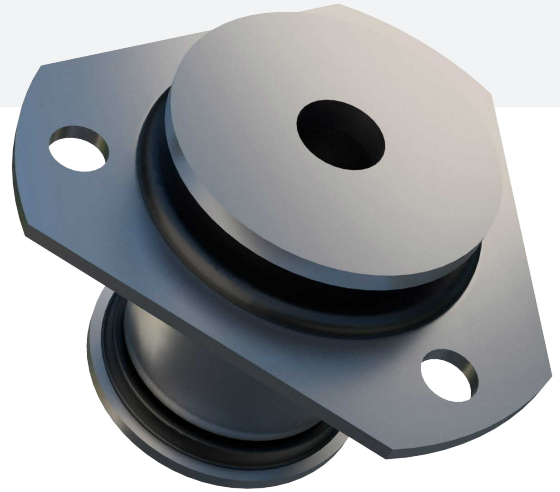
Metacone

The metacone product range is designed for high load capacity with relatively large static deflections. The high loading for a given size is achieved by utilizing the rubber to best advantage in shear and compression. Typically the mountings are assembled with overload and rebound washers to control and limit movement of the suspended equipment under shock loads. Centre fixing bolts should be torque tightened to the recommended values.

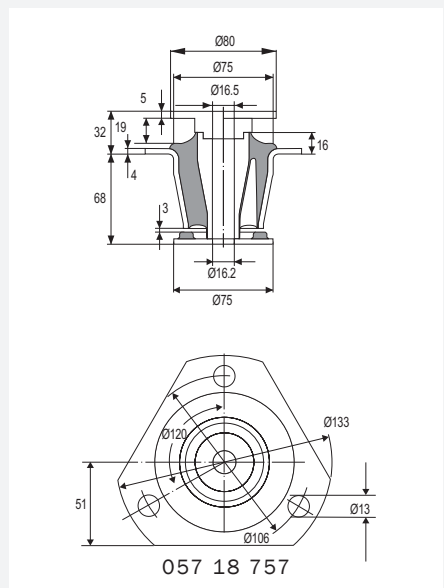
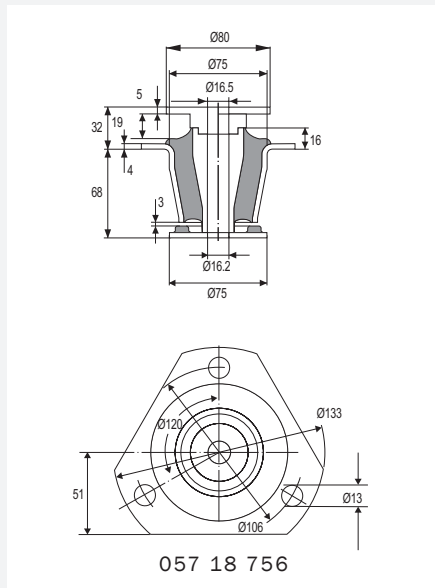
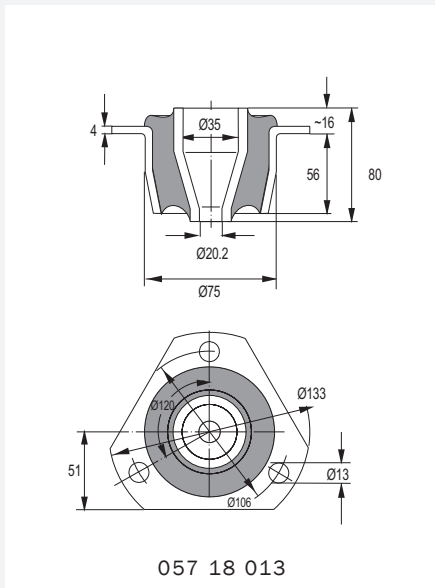
Their compact fail-safe design is available for a wide range of loadings, with in some cases, alternative fixings. Cut-outs in rubber sections on various sizes provide different vertical/horizontal stiffness ratio.

Typical Applications Include:

- Off-highway and road vehicle engines
- Vehicle cabs
- Oil tanks/ tankers



TECHNICAL DRAWING



PRODUCT DATA

DRAWING NO.	PART NO.	TYPE	AXIAL (Z)		RADIAL (X)		RADIAL (Y)		BOLT SIZE	MAX. BOLT TORQUE (Nm)	TOP WASHER PART NO.	BOTTOM WASHER PART NO.
			STIFFNESS (N/mm)	MAX. LOAD (Kg)	STIFFNESS (N/mm)	MAX. LOAD (Kg)	STIFFNESS (N/mm)	MAX. LOAD (Kg)				
057 18 013	90697	45 NR 11	600	330	2960	740	2960	740	M20 - 6.6	220	97141	511081 / 90819 / 90831
	49029143	45 NR 39	690	380	3400	850	3400	850				
	500857	55 AEM 23	920	500	5400	1350	5400	1350				
	91201	50 NR 11	1180	650	3900	980	3900	980				
	49029144	60 NR 39	1300	720	4600	1160	4600	1160				
	90877	60 NR 11	1300	720	4800	1200	4800	1200				
	2129417	65 NBR 68	1450	800	4800	1150	4800	1150				
	90849	70 NR 11	1820	1000	5000	1250	5000	1250				
	511079	70 NBR 68	1820	1000	5000	1250	5000	1250				
480534	76 NR 39	2000	1110	5500	13800	5500	13800					
057 18 756	511906	45 NR 511	600	480	1800	550	1800	550	M16 - 8.8	200	511927	511928
	2129305	50 NR 511	800	640	2500	750	2500	750				
	2129306	58 NR 511	1000	800	3200	950	3200	950				
	2129307	65 NR 511	1250	1000	3800	1150	3800	1150				
	2129308	70 NR 511	1550	1240	4500	1350	4500	1350				
	2129309	75 NR 511	1950	1560	5200	1550	5200	1550				
057 18 757	511926	45 NR 511	350	280	2100	620	950	280	M16 - 8.8	200	511927	511928
	2129310	50 NR 511	550	440	2900	880	1600	480				
	2129311	58 NR 511	800	640	3600	1080	2300	680				
	2129312	65 NR 511	1150	920	4300	1280	3000	880				
	2129313	70 NR 511	1450	1160	5000	1480	3600	1080				
	2129314	75 NR 511	1800	1440	5600	1680	4300	1280				

FOLLOW US ON LINKEDIN

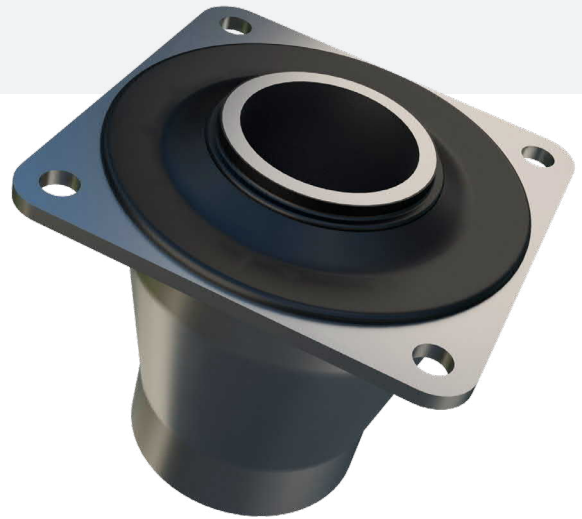
[LINKEDIN.COM/COMPANY/TRELLEBORGAVS](https://www.linkedin.com/company/trelleborgavs)

Metacone

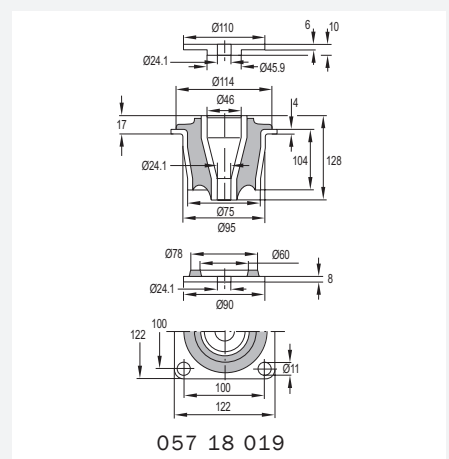
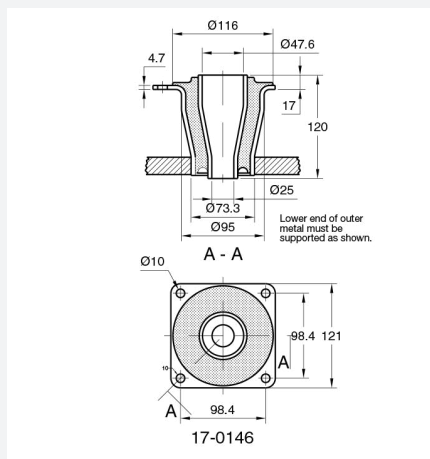
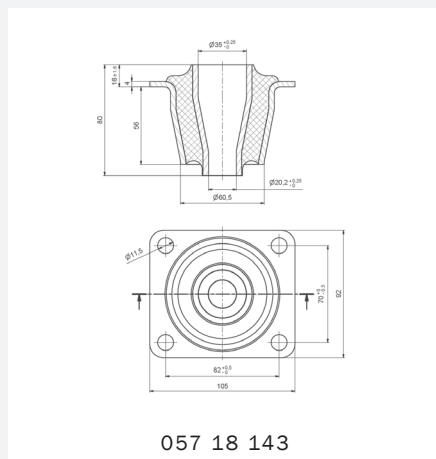
The metacone product range is designed for high load capacity with relatively large static deflections. The high loading for a given size is achieved by utilizing the rubber to best advantage in shear and compression. Typically the mountings are assembled with overload and rebound washers to control and limit movement of the suspended equipment under shock loads. Centre fixing bolts should be torque tightened to the recommended values. Their compact fail-safe design is available for a wide range of loadings, with in some cases, alternative fixings. Cut-outs in rubber sections on various sizes provide different vertical/horizontal stiffness ratio.

Typical Applications Include:

- Off-highway and road vehicle engines
- Vehicle cabs
- Oil tanks/ tankers



TECHNICAL DRAWING

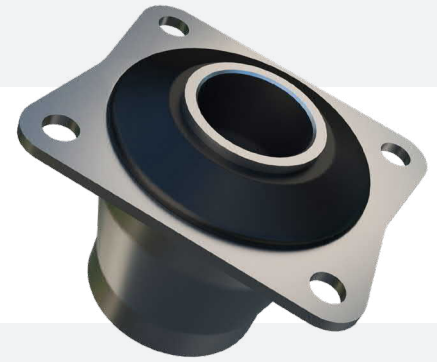


PRODUCT DATA

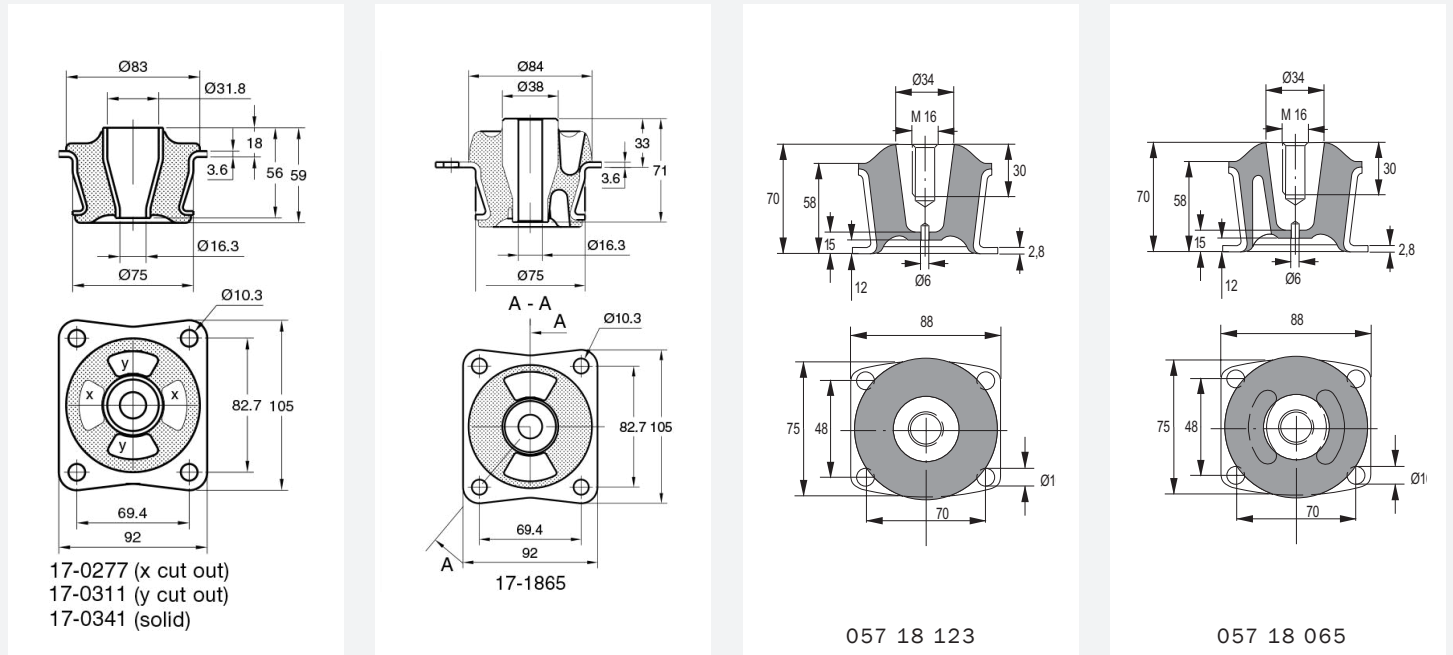
DRAWING NO.	PART NO.	TYPE	AXIAL (Z)		RADIAL (X)		RADIAL (Y)		BOLT SIZE	MAX. BOLT TORQUE (Nm)	TOP WASHER PART NO.	BOTTOM WASHER PART NO.
			STIFFNESS (N/mm)	MAX. LOAD (Kg)	STIFFNESS (N/mm)	MAX. LOAD (Kg)	STIFFNESS (N/mm)	MAX. LOAD (Kg)				
057 18 143	92792	45 NR 511	600	330	3000	740	3000	740	M20 - 6.6	220	97141	90819 / 90831
	92793	65 NR 511	1300	720	4800	1200	4800	1200				
17-0146	10-00360	45 °IRHD	1400	950	5900	840	5900	840	M24	200	20-00527	10-03862
	10-00361	60 °IRHD	2860	1700	11800	1680	11800	1680				
057 18 019	49031009	D NR	1300	890	6500	430	6500	430	M24 - 6.8	535	97142	90501
	91430	50 NR 511	1420	1000	6400	960	6400	960				
	49031008	C NR	1500	1030	7500	500	7500	500				
	49031007	B NR	2100	1450	10500	700	10500	700				
	49016406	A NR	2300	1560	11500	770	11500	770				
	90491	65 NR 511	2850	2000	12800	1920	12800	1920				
	49031010	E NR	3400	2340	17000	1130	17000	1130				
	91009	75 NR 511	4000	3000	20000	3000	20000	3000				
	49055303	F NR	4200	3090	21000	1400	21000	1400				
49055304	G NR	5800	4080	29000	1930	29000	1930					

Metacone

The metacone product range is designed for high load capacity with relatively large static deflections. Their compact fail-safe design is available for a wide range of loadings, with in some cases, alternative fixings. Cut-outs in rubber sections on various sizes provide different vertical/horizontal stiffness ratio.



TECHNICAL DRAWING

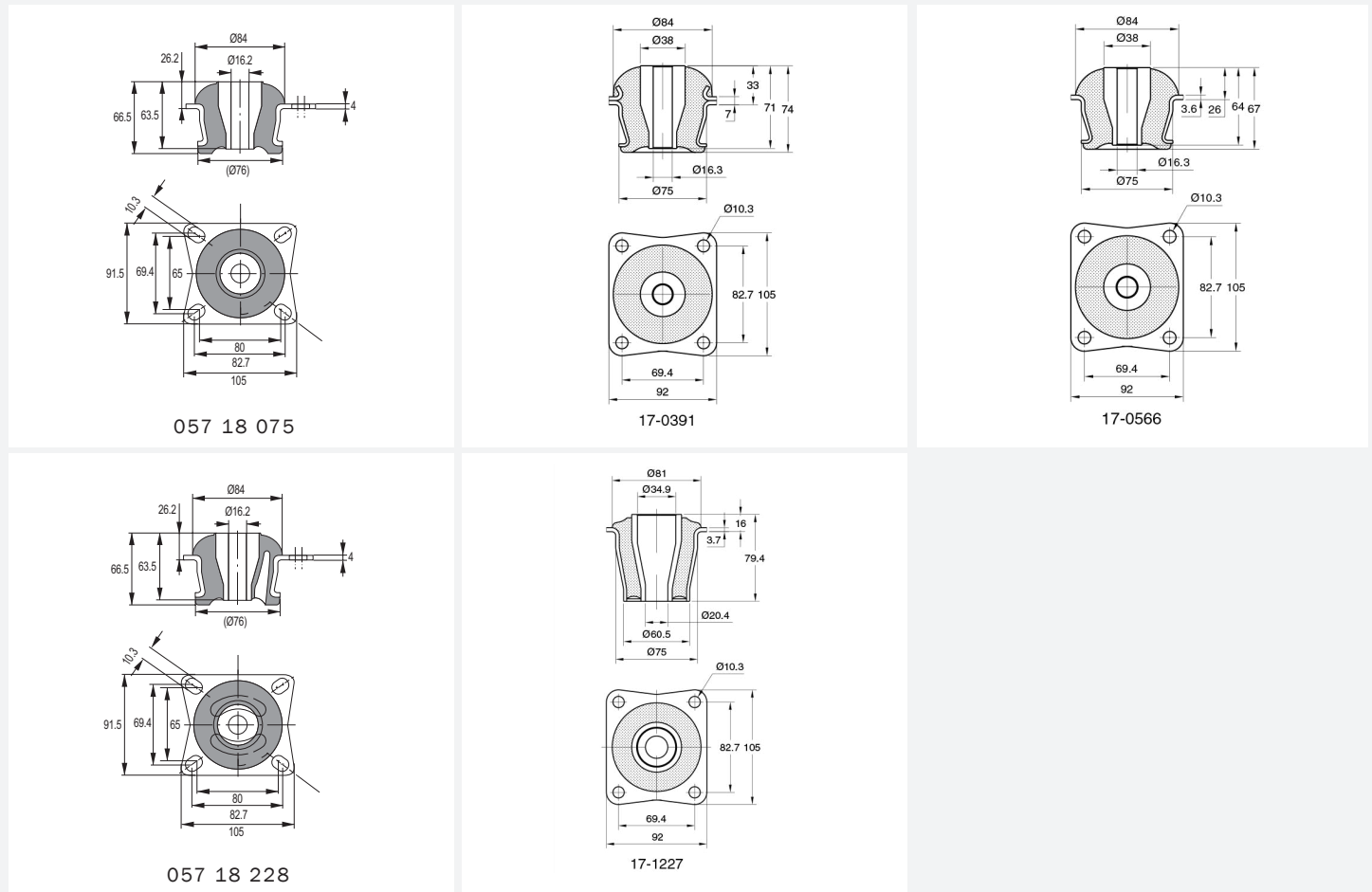


PRODUCT DATA

DRAWING NO.	PART NO.	TYPE	AXIAL (Z)		RADIAL (X)		RADIAL (Y)		BOLT SIZE	MAX. BOLT TORQUE (Nm)	TOP WASHER PART NO.	BOTTOM WASHER PART NO.
			STIFFNESS (N/mm)	MAX. LOAD (Kg)	STIFFNESS (N/mm)	MAX. LOAD (Kg)	STIFFNESS (N/mm)	MAX. LOAD (Kg)				
17-0277	10-00385	45 °IRHD	207	143	620	95	410	65	M16	75	20-00773	20-00532
	10-00387	60 °IRHD	378	230	1470	225	740	115				
17-0311	10-00391	45 °IRHD	207	125	325	55	655	105	M16	75	20-00773	20-00532
	10-00392	60 °IRHD	378	220	650	105	1310	215				
17-1865	10-00615	55 °IRHD	300	180	1200	185	600	90	M16	135	20-00532	20-00532
17-0341	10-00394	45 °IRHD	266	160	866	140	866	140	M16	75	20-00773	20-00532
	10-00395	60 °IRHD	540	300	1732	280	1732	280				
	10-00396	70 °IRHD	758	430	2300	375	2300	375				
057 18 123	93270	50 NR 511	520	350	1000	150	1000	150	M16 - 3.6	63	49032678	-
	49011343	45 NR 511	430	300	860	130	860	130				
	91790	70 NR 511	1000	700	1700	260	1700	260				
057 18 065	49068632	45 CR 57	180	120	760	110	360	55	M16 - 3.6	63	49032678	-
	49006133	50 CR 57	220	150	950	140	450	70				
	90822	45 NR 511	240	170	650	100	330	50				
	49068835	45NBR68	310	220	840	120	430	65				
	92448	75 NR 511	880	620	1750	260	1100	170				

Metacone

TECHNICAL DRAWING



PRODUCT DATA

DRAWING NO.	PART NO.	TYPE	AXIAL (Z)		RADIAL (X)		RADIAL (Y)		BOLT SIZE	MAX. BOLT TORQUE (Nm)	TOP WASHER PART NO.	BOTTOM WASHER PART NO.
			STIFFNESS (N/mm)	MAX. LOAD (Kg)	STIFFNESS (N/mm)	MAX. LOAD (Kg)	STIFFNESS (N/mm)	MAX. LOAD (Kg)				
057 18 228	93641	40 NR 511	210	210	440	65	180	30	M16 - 5.8	126	49032678	49026836
	93642	50 NR 511	340	330	890	135	360	55				
	91405	70 NR 511	600	610	1600	240	700	105				
057 18 075	93385	45 NR 511	400	340	800	120	800	120	M16 - 5.8	126	49032678	49026836
	91829	65 NR 511	670	620	1400	210	1400	210				
	90863	75 NR 511	1070	950	2240	336	2240	336				
	510004	76 NR 39	2100	1840	4300	645	4300	645				
17-0566	10-00433	45 °IRHD	389	200	750	125	750	125	M16	135	20-00532	20-00532
	10-00434	60 °IRHD	690	380	1500	245	1500	245				
	10-00435	70 °IRHD	905	525	2300	375	2300	375				
17-0391	10-00409	35 °IRHD	328	195	737	115	737	115	M16	135	20-00532	20-00532
	10-00411	45 °IRHD	492	290	1105	170	1105	170				
	10-00414	60 °IRHD	765	500	2185	335	2185	335				
	10-00415	70 °IRHD	1325	610	3470	530	3470	530				
17-1227	10-00723	50 °IRHD	990	635	7600	850	7600	850	M20	180	20-00528	10-03707
	10-00460	60 °IRHD	1562	1000	12000	1350	12000	1350				
	10-02575	70 °IRHD	2300	1470	17640	1970	17640	1970				

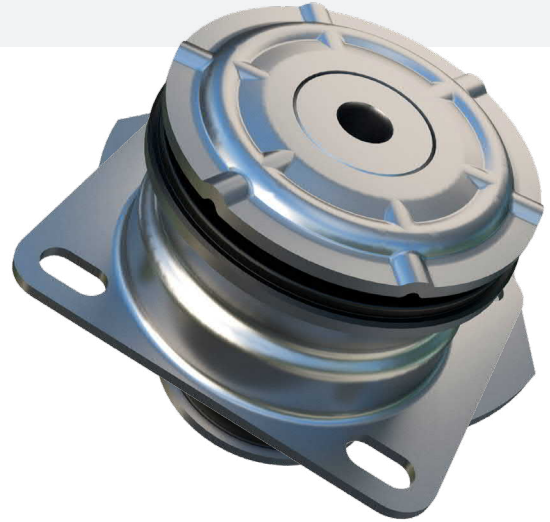
Metacone

The metacone product range is designed for high load capacity with relatively large static deflections. The high loading for a given size is achieved by utilizing the rubber to best advantage in shear and compression. Typically the mountings are assembled with overload and rebound washers to control and limit movement of the suspended equipment under shock loads. Centre fixing bolts should be torque tightened to the recommended values.

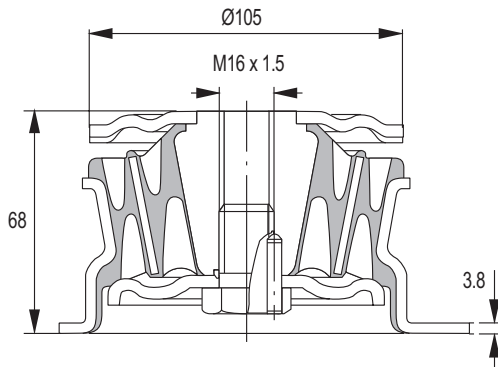
Their compact fail-safe design is available for a wide range of loadings, with in some cases, alternative fixings. Cut-outs in rubber sections on various sizes provide different vertical/horizontal stiffness ratio.

Typical Applications Include:

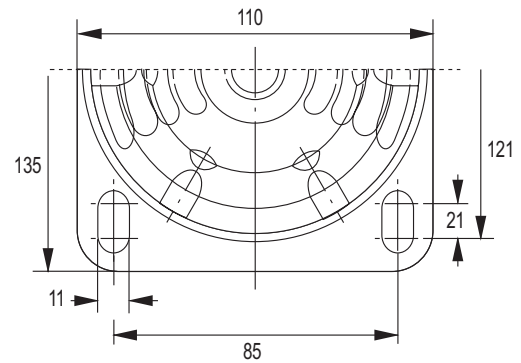
- Off-highway and road vehicle engines
- Vehicle cabs
- Oil tanks/ tankers



TECHNICAL DRAWING



057 18 224 (VOIDS)
057 18 220 (SOLID)



PRODUCT DATA

DRAWING NO.	PART NO.	TYPE	AXIAL (Z)		RADIAL (X)		RADIAL (Y)		BOLT SIZE	MAX. BOLT TORQUE (Nm)	TOP WASHER PART NO.	BOTTOM WASHER PART NO.
			STIFFNESS (N/mm)	MAX. LOAD (Kg)	STIFFNESS (N/mm)	MAX. LOAD (Kg)	STIFFNESS (N/mm)	MAX. LOAD (Kg)				
057 18 224	91376	40 NR 511	140	70	600	120	300	60	M16x 1.5 - 8.8	230	INCLUDED	-
	91076	50 NR 511	220	110	900	180	450	90				
	91491	65 NR 511	330	160	1400	280	700	140				
	91381	75 NR 511	500	240	2200	440	1100	220				
057 18 220	91067	40 NR 511	210	110	750	150	750	150	M16x 1.5 - 8.8	230	INCLUDED	-
	91374	50 NR 511	430	220	1100	220	1100	220				
	93876	65 NR 511	580	300	1700	340	1700	340				
	91230	75 NR 511	1070	560	2600	520	2600	520				
	49018753	84 NR 511	1500	710	3900	780	3900	780				

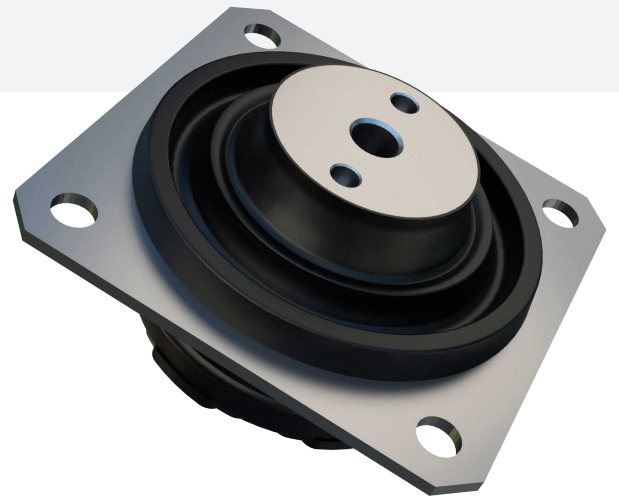
Metacone

The metacone product range is designed for high load capacity with relatively large static deflections. The high loading for a given size is achieved by utilizing the rubber to best advantage in shear and compression. Typically the mountings are assembled with overload and rebound washers to control and limit movement of the suspended equipment under shock loads. Centre fixing bolts should be torque tightened to the recommended values.

Their compact fail-safe design is available for a wide range of loadings, with in some cases, alternative fixings. Cut-outs in rubber sections on various sizes provide different vertical/horizontal stiffness ratio.

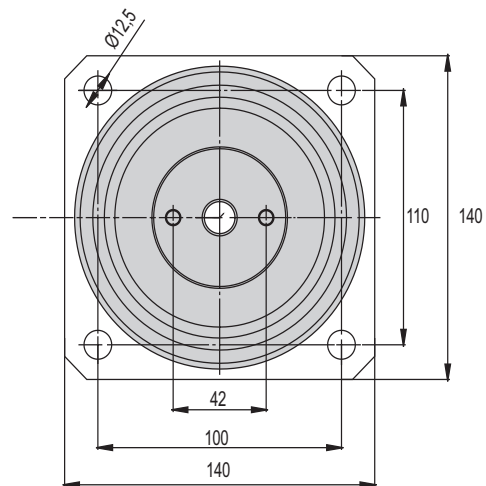
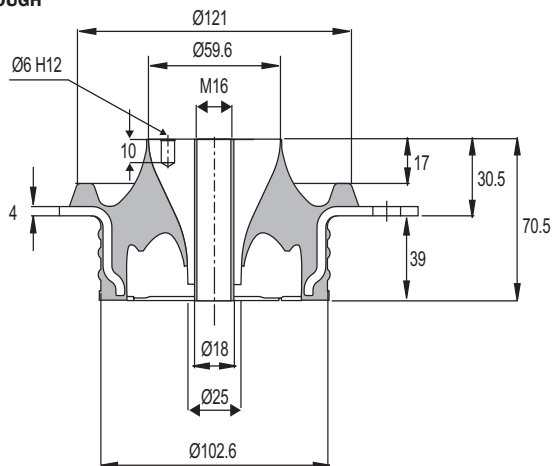
Typical Applications Include:

- Off-highway and road vehicle engines
- Vehicle cabs
- Oil tanks/ tankers



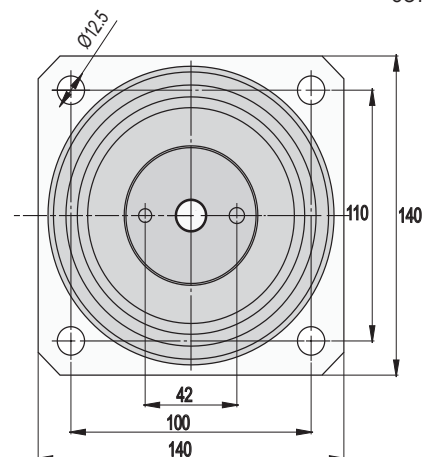
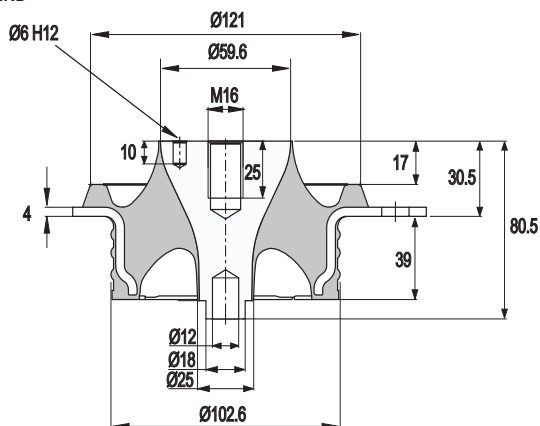
TECHNICAL DRAWING

BOLT STYLE: THROUGH



057 18 799 (INTERLEAVED)
057 18 801 (SOLID)

BOLT STYLE: BLIND



PRODUCT DATA

DRAWING No.	PART No.	TYPE	AXIAL (Z)		RADIAL (X)		RADIAL (Y)		BOLT STYLE	BOLT SIZE	MAX BOLT TORQUE (NM)	TOP WASHER PART NO.	BOTTOM WASHER PART NO.
			STIFFNESS (N/MM)	MAX LOAD (KG)	STIFFNESS (N/MM)	MAX LOAD (KG)	STIFFNESS (N/MM)	MAX LOAD (KG)					
057 18 801	60901350	40 NR 511	200	210	270	140	270	140	THRO'	M16 - 8.8	230	-	-
	49038287								BLIND				-
	60901357								BLIND				INCLUDED
	60901351	45 NR 511	220	230	350	180	350	180	THRO'				-
	49038288								BLIND				-
	60901358								BLIND				INCLUDED
	60901352	50 NR 511	270	290	450	230	450	230	THRO'				-
	49038289								BLIND				-
	60901359								BLIND				INCLUDED
	60901353	55 NR 511	330	360	600	300	600	300	THRO'				-
	49038290								BLIND				-
	60901360								BLIND				INCLUDED
	60901354	60 NR 511	420	500	830	420	830	420	THRO'				-
	49038291								BLIND				-
	60901361								BLIND				INCLUDED
	60901355	65 NR 511	520	630	1040	520	1040	520	THRO'				-
	49038302								BLIND				-
	60901362								BLIND				INCLUDED
	60901356	70 NR 511	610	720	1100	550	1100	550	THRO'				-
	60901415								BLIND				-
60901363	BLIND								INCLUDED				
057 18 799	60901634	40 NR 511	300	300	500	250	500	250	THRO'	M16 - 8.8	230	-	-
	49038272								BLIND				-
	60900310								BLIND				INCLUDED
	60901635	45 NR 511	350	350	650	330	650	330	THRO'				-
	49038273								BLIND				-
	60901745								BLIND				INCLUDED
	60901636	50 NR 511	470	470	800	400	800	400	THRO'				-
	49038274								BLIND				-
	60901746								BLIND				INCLUDED
	60901637	55 NR 511	540	540	1100	550	1100	550	THRO'				-
	49038275								BLIND				-
	60901747								BLIND				INCLUDED
	60901638	60 NR 511	700	700	1500	750	1500	750	THRO'				-
	49038276								BLIND				-
	60901748								BLIND				INCLUDED
	60901639	65 NR 511	720	720	1550	780	1550	780	THRO'				-
	49038277								BLIND				-
	60901749								BLIND				INCLUDED
	60901640	70 NR 511	850	850	1950	980	1950	980	THRO'				-
	60901381								BLIND				-
60900072	BLIND								INCLUDED				

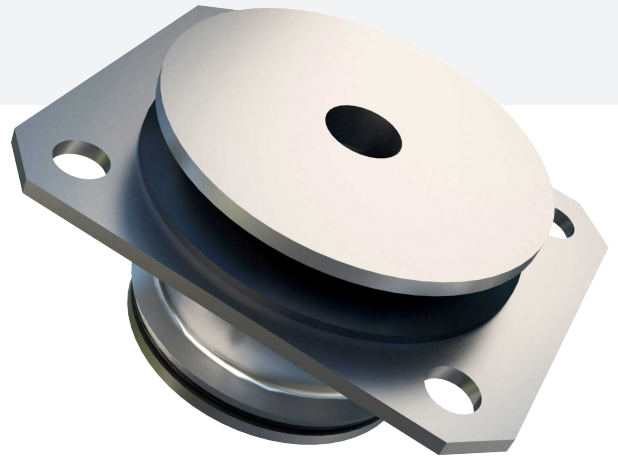
Metacone

The metacone product range is designed for high load capacity with relatively large static deflections. The high loading for a given size is achieved by utilizing the rubber to best advantage in shear and compression. Typically the mountings are assembled with overload and rebound washers to control and limit movement of the suspended equipment under shock loads. Centre fixing bolts should be torque tightened to the recommended values.

Their compact fail-safe design is available for a wide range of loadings, with in some cases, alternative fixings. Cut-outs in rubber sections on various sizes provide different vertical/horizontal stiffness ratio.

Typical Applications Include:

- Off-highway and road vehicle engines
- Vehicle cabs
- Oil tanks/tankers



TECHNICAL DRAWING

<p>057 18 805 (VOIDS) 057 18 804 (SOLID)</p>	<p>057 18 806</p>	<p>057 18 060</p>	<p>057 18 807</p>
--	-------------------	-------------------	-------------------

PRODUCT DATA

DRAWING NO.	PART NO.	TYPE	AXIAL (Z)		RADIAL (X)		RADIAL (Y)		BOLT SIZE	MAX. BOLT TORQUE (Nm)	TOP WASHER PART NO.	BOTTOM WASHER PART NO.
			STIFFNESS (N/mm)	MAX. LOAD (Kg)	STIFFNESS (N/mm)	MAX. LOAD (Kg)	STIFFNESS (N/mm)	MAX. LOAD (Kg)				
057 18 804	49041359	45 NR	430	130	1100	330	1100	330	M16 - 5.6	95	INCLUDED	INCLUDED
	49041360	60 NR	870	260	2200	660	2200	660				
	49041361	70 NR	1200	360	3300	800	3300	800				
057 18 805	49075604	40 NR	220	65	880	270	400	120	M16 - 5.6	95	INCLUDED	INCLUDED
	49041362	45 NR	270	80	1100	330	500	150				
	60905348	45 NR	270	80	1100	330	500	150				
	49075605	55 NR	400	120	1500	480	690	210				
	49041363	60 NR	500	150	1900	600	860	260				
	49041364	70 NR	900	200	3300	800	1200	360				

PRODUCT DATA

DRAWING NO.	PART NO.	TYPE	AXIAL (Z)		RADIAL (X)		RADIAL (Y)		BOLT SIZE	MAX. BOLT TORQUE (Nm)	TOP WASHER PART NO.	BOTTOM WASHER PART NO.
			STIFFNESS (N/mm)	MAX. LOAD (Kg)	STIFFNESS (N/mm)	MAX. LOAD (Kg)	STIFFNESS (N/mm)	MAX. LOAD (Kg)				
057 18 806	49041365	45 NR	1200	250	1265	253	1265	253	M16 - 5.6	95	INCLUDED	INCLUDED
	49041366	60 NR	2100	420	2145	429	2145	429				
	49041367	70 NR	3800	750	3780	756	3780	756				
057 18 060	93900	40 NR 511	230	240	560	220	560	220	M16 - 6.8	150	97140	97139
	91479	50 NR 511	400	420	870	340	870	340				
	509731	55 NBR 38	480	500	1100	440	1100	440				
	90465	65 NR 511	520	540	1400	560	1400	560				
	479685	65 NBR 68	600	630	1700	680	1700	680				
	476214	75 NR 511	650	680	2100	840	2100	840				
057 18 807	49041368	45 NR	1200	600	1430	715	1430	715	M20 - 5.6	185	INCLUDED	INCLUDED
	49041369	60 NR	2300	1150	2470	1235	2470	1235				
	49041370	70 NR	3500	1750	4050	2025	4050	2025				