

MDS Range

The MDS mounting is easy to install based on a 2 part single bolt installation. There is no requirement for radius or chamfered installation hole and a steel flange prevents rubber wear at the bracket interface. The bonded steel snubbing cup limits vertical movements and prevents excessive strain in rubber. The cup is encapsulated in rubber to prevent corrosion.

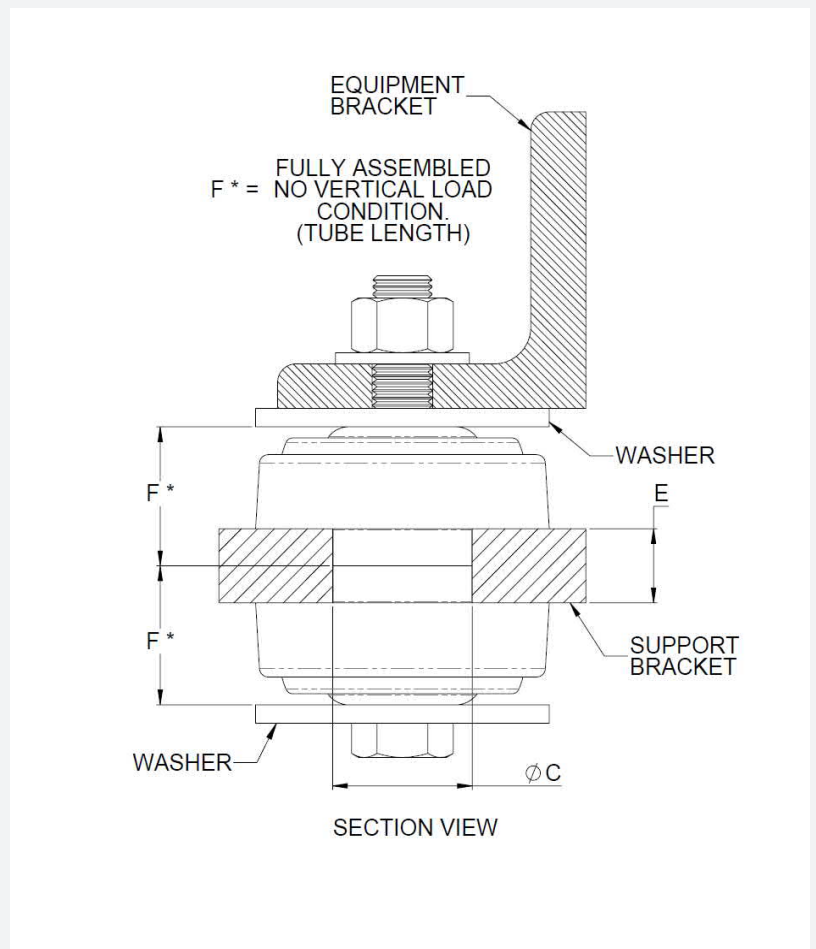
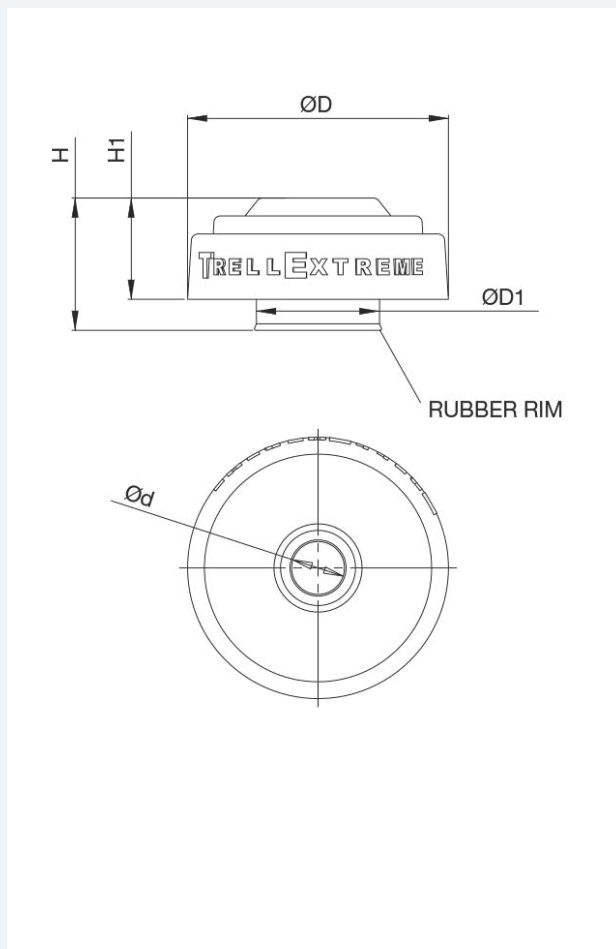
The MDS mounting is designed to take high dynamic shock loads but to limit mount movements in all directions, MDS= Multi Directional Snubbing. In the static working load range, the MDS mounts have linear stiffness characteristics allowing easy prediction of mount deflection and isolation performance.

Typical Applications Include:

- Engines
- Small cabs on Off-Highway vehicles



TECHNICAL DRAWING



MDS Range

PRODUCT DATA

TYPE	DRAWING NO.	PART NO.	TYPE	DIMENSIONS (mm)								MAX LOAD (kg)	AXIAL STIFFNESS (N/mm)	BOLT SIZE	BOLT TORQUE (Nm)
				Ød	ØD	ØD1	H	H1	C	E (+/- 0.5mm)	F *				
MDS 55	17-4967	10-02182	40 °IRHD	13	55.5	29.8	22	29	28.8-30.2	15	26.5	35	165	M12	125
		10-02183	45 °IRHD									40	186		
		10-04834	45 CR									40	186		
		10-04797	55 °IRHD									65	300		
		10-04817	65 °IRHD									95	450		
MDS 66	17-2280	10-01802	45 °IRHD	18.8	66	39.8	39	29.5	40.0-40.3	19.5	35	70	320	M16	240
		10-04792	45 °IRHD (CR)									70	320		
		10-01803	55 °IRHD									120	540		
		10-04793	55 °IRHD (CR)									120	540		
		10-01804	65 °IRHD									170	800		
MDS 80	17-2243	10-01799	45 °IRHD	16.2	80	37.8	41.5	32	37.9-38.2	19.5	37.5	90	350	M16	240
		10-04791	45 °IRHD (CR)									90	350		
		10-04778	50 °IRHD									115	450		
		10-01800	55 °IRHD									140	550		
		10-01801	65 °IRHD									200	800		
MDS85	17-2241	10-03705	45 °IRHD	16.2	88	41.8	40	32	42.0-42.3	16	35	90	400	M16	240
		10-02176	55 °IRHD									140	700		
		10-04818	65 °IRHD									200	1065		
MDS95	17-4474	10-04816	45 °IRHD	16.2	98	46.6	40	32	47.5-48.3	16	35	190	580	M16	333
		10-02256	55 °IRHD									240	745		
		10-02255	65 °IRHD									370	1135		
		10-02259	70 °IRHD									450	1365		
MDS 110	17-2285	10-03853	45 °IRHD	22.5	110	56.9	51.5	39	57.2-57.5	25	46.5	230	724	M20/ M22	502/685
		10-03854	55 °IRHD									360	976		
		10-03855	65 °IRHD									510	1382		
		10-04094	75 °IRHD									765	2000		
MDS 130	17-4196	10-01984	45 °IRHD	30.2	128	69.2	58	43	70.75-71.25	40	57	230	700	M30	750
		10-01985	55 °IRHD									500	1160		
		10-01986	65 °IRHD									600	1600		
		10-04613	70 °IRHD									600	1600		
		10-05003	70 °IRHD (CR)									735	1830		