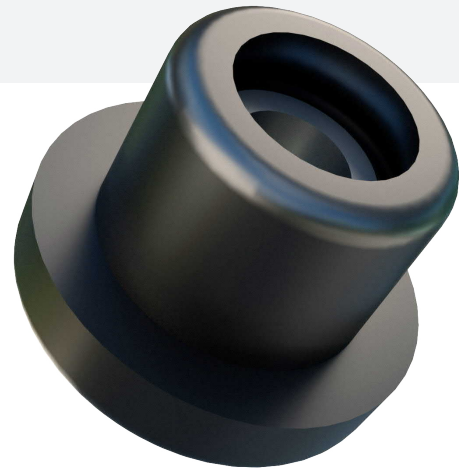


# MCR Mount

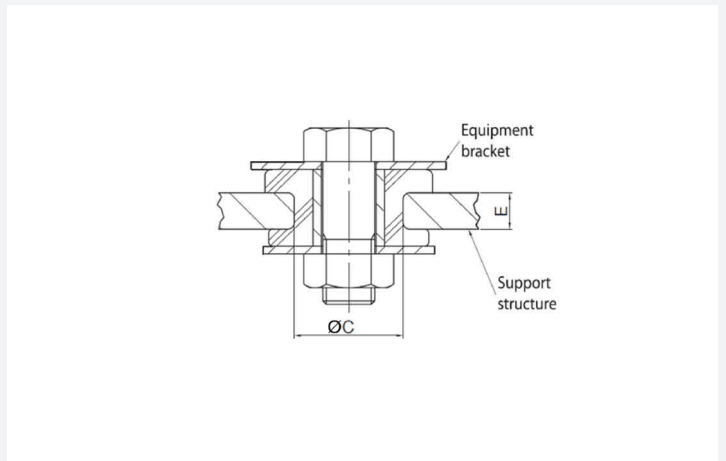
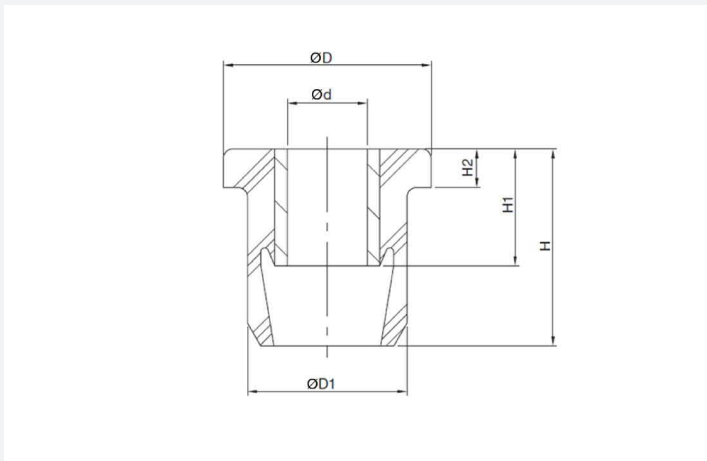
MCR mountings are designed for mobile applications where the disturbing frequencies are high and restricted movement is needed. The MCR mount is an easy to install single part mount that can be used to take up small bracket and chassis misalignments, it provides isolation of high frequency vibration and offers shock protection of vehicle mounted equipment.

## Typical Applications Include:

- Exhaust system
- Radiator mounting
- Ancillary pumps



## TECHNICAL DRAWING



## PRODUCT DATA

TYPE	DRAWING NO.	PART NO.	TYPE	DIMENSIONS (mm)									MAX. LOAD (Kg)	BOLT SIZE	MAX. BOLT TORQUE (Nm)	WASHER PART NO.
				ØD	Ød	ØD <sub>1</sub>	H	H <sub>1</sub>	H <sub>2</sub>	E	ØC	R				
MCR 27-1908	19-0266	20-00832	40 °IRHD	27.5	10	20	25.5	15.5	5	8	19	1.5	35	M10	30	20-00531
		20-01129	45 °IRHD										40			
		20-00831	60 °IRHD										55			
MCR 45-2810	11-1196	20-00782	45 °IRHD	45	13	31.5	32	25	10	10	28.5	1.5	80	M12	50	20-00416
		20-01137	60 °IRHD										150			
	11-1196-00	20-02904	70 ° (EPDM)										220			
	11-1196-01	20-02905	70 ° (SILICONE)													
MCR 51-3216	13-4285	20-01133	45 °IRHD	51.8	13.5	34	41	35	13.5	16	31.8	1.5	80	M12	50	20-00536
		20-01134	60 °IRHD										180			
MCR 64-3820	19-0277	20-00833	45 °IRHD	64	16	41	50	43	16	20	38	3	190	M16	135	20-01495
		20-01130	60 °IRHD										380			
MCR 75-4624	19-0292	20-01135	45 °IRHD	75	16	50	56	50	21	23.5	46	3	200	M16	135	20-00532
		20-01136	60 °IRHD										400			
MCR 95-5119	11-1018	20-01131	45 °IRHD	95	21	57	63	51	25	19.1	50.8	3	320	M20	135	20-00533
		20-01132	60 °IRHD										625			