

M Mounting

The M-Mounting is ideal for applications involving isolation of low frequency vibration on all planes. Also suitable for shock attenuation due to the designed ability to offer large deflections. Provides passive vibration isolation on electronic instruments, measuring equipment and test cells.

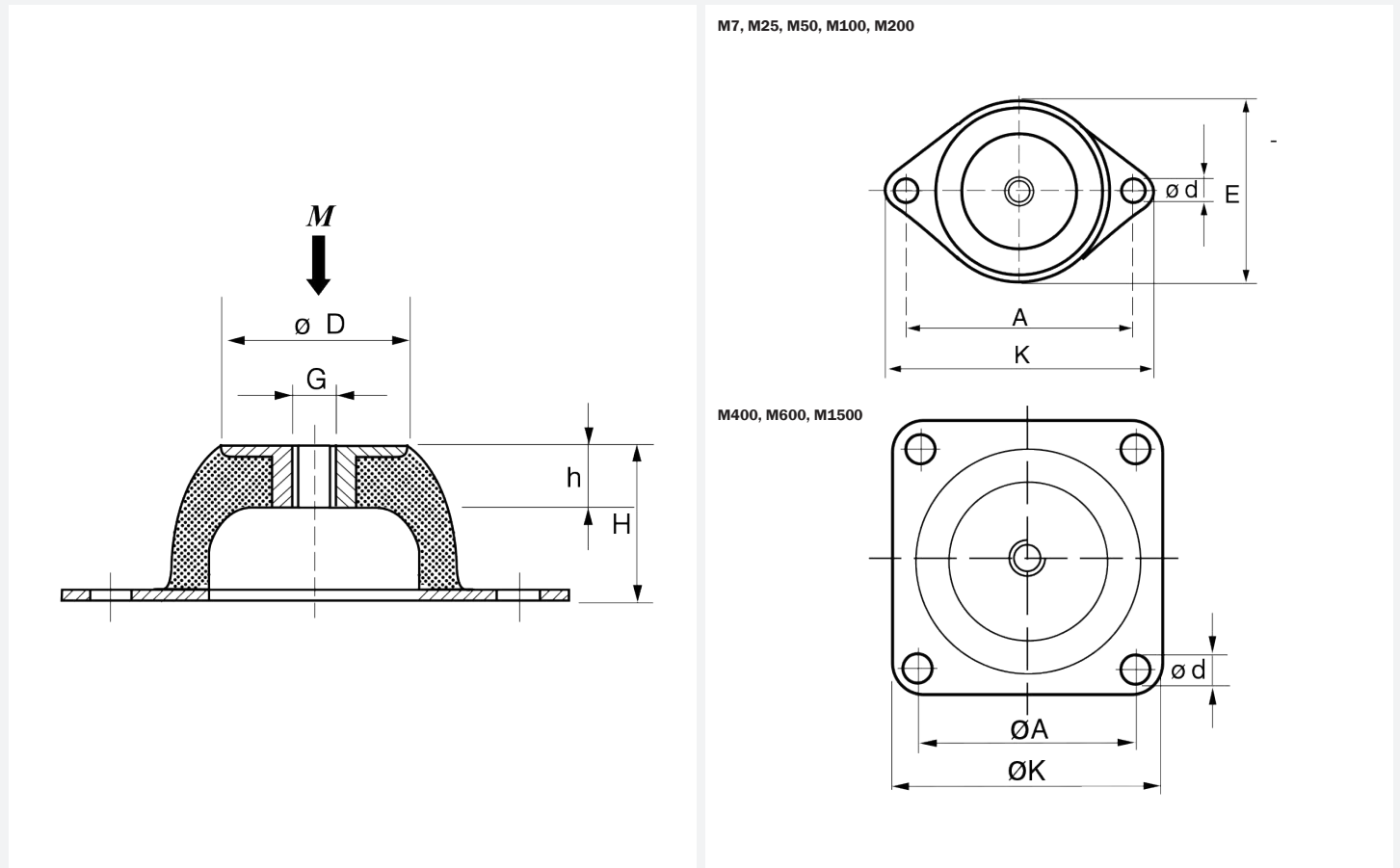
The M mount is specifically designed to give large deflection at low loads. Although the mount design allows high deflection, the mountings are compact in weight and easy to install.

The M mounts are a high performance antivibration mount with a number of advantages:

- Tight tolerance on dynamic stiffness rates for accurate vibration calculations
- Wide load rating options, 3.5-2500 kg
- Corrosion protected to cope with arduous environments on land or marine applications (ISO 2081)



TECHNICAL DRAWING



M Mounting

PRODUCT DATA

TYPE	DRAWING NO.	PART NO.	HARDNESS	DIMENSIONS (mm)								MAX. LOAD (Kg)	MAX. BOLT TORQUE (Nm)
				ØD	E	A	K	H	h	Ød	G		
M 7	17-4056	10-00139	40 °IRHD	18	43	50	64	20	7	7	M6	3.5	7
	17-4057	10-00140	60 °IRHD									9	
M 25	17-4047	10-00094	40 °IRHD	33	56	66	85	25	11	8	M8	20	15
	17-4048	10-00095	60 °IRHD									50	
M 50	17-4052	10-00096	40 °IRHD	45	76	92	114	35	14	10	M10	40	20
	17-4053	10-00097	60 °IRHD									80	
M 100	17-4041	10-00100	40 °IRHD	53	96	110	136	40	15	11.5	M10	70	20
	17-4042	10-00099	60 °IRHD									150	
M 200	174044	10-00102	40 °IRHD	58	101	124	151	45	13	11.5	M10	130	20
	17-4045	10-00103	60 °IRHD									220	
M 400	17-4050	10-00104	40 °IRHD	78	-	120	150	63	18	14.5	M12	280	25
	17-4051	10-00105	60 °IRHD									500	
M 600	17-4054	10-00080	40 °IRHD	100	-	160	200	85	25	14.5	M16	380	50
	17-4055	10-00081	60 °IRHD									750	
M 1500	17-4043	10-00082	40 °IRHD	186	-	250	310	160	43	18	M24	1400	200
	17-4049	10-00083	60 °IRHD									2500	