

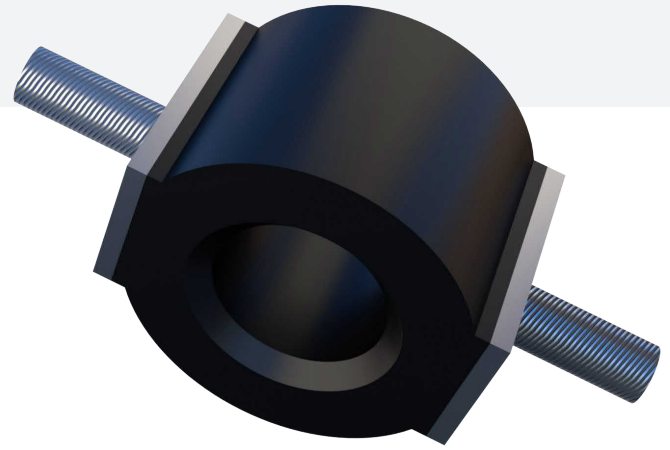
# Low Frequency Mountings

The Low Frequency mounts are designed for shear as well as compressive loads. Continual tensile load should be avoided.

These antivibration mounts are designed to give large deflection for small loads and are used to protect suspended equipment against vibration and impact.

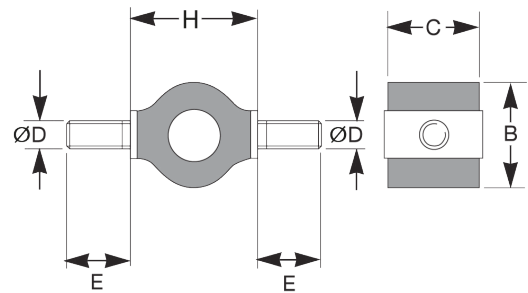
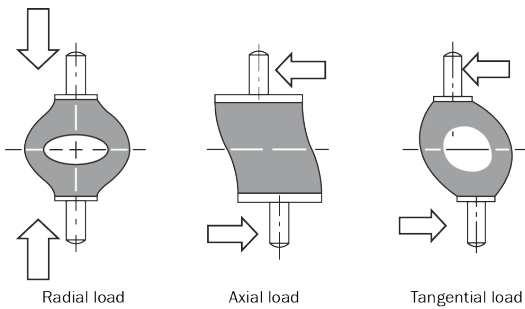
### Typical applications Include:

- Light instruments
- Light fans and compressors
- Computer and electronic units
- Shock mounting for light applications



## TECHNICAL DRAWING

### DIRECTIONAL LOADING



## PRODUCT DATA

DRAWING NO.	PART NO.	TYPE	DIMENSIONS (mm)					MAX. LOAD (Kg)			MAX. TORQUE (Nm)
			H	B	C	ØD	E	COMPRESSION	SHEAR	ROLLING SHEAR	
<b>LOW FREQUENCY MOUNT (O-SHAPED)</b>											
17-1394	20-00018	60 °IRHD	17	14	13	M4	10	1.8	0.5	0.4	1.6
055 18 001	96740	40 NR511	18	14	15	M4	7	2	0.95	0.45	1.3
	96741	45 NR511						2.5	1.2	0.6	
17-1395	20-00020	45 °IRHD	30	25	19	M5	14	3.1	1.0	0.8	3.2
055 18 002	96757	40 NR511	30	25	22	M5	10	3.2	2	1.3	2.7
	96755	45 NR511						4	2.5	1.7	
17-1395	20-00021	60 °IRHD	30	25	19	M5	14	5.6	1.5	1.2	3.2
055 18 001	49023642	60 NBR 68	18	14	15	M4	7	6	2.8	1.5	1.3
	49023643	60 EPDM 22									
	96761	65 NR511									
17-1396	20-00022	45 °IRHD	38	35	25	M6	15	8.7	3.1	2.5	8.3
055 18 003	96743	45 NR511	38	36	28	M6	9.5	9.5	5	2.7	4.7

## Low Frequency Mountings

### PRODUCT DATA

DRAWING NO.	PART NO.	TYPE	DIMENSIONS (mm)					MAX. LOAD (Kg)			MAX. TORQUE (Nm)
			H	B	C	ØD	E	COMPRESSION	SHEAR	ROLLING SHEAR	
055 18 703	477967	60 EPDM 22	30	25	22	M5	10	11	7	3.5	2.7
055 18 002	96742	65 NR511									
17-1396	20-00023	60 °IRHD	38	35	25	M6	15	12.7	4.6	3.6	8.3
055 18 003	96750	65 NR511	38	36	28	M6	9.5	21.5	11	5.5	4.7
055 18 700	500640	65 NR511									
	49002215	60 EPDM 22									