

# Level Mount (TF)

The Level Mount is installed in minutes by following the instructions provided. There is no need to fix the machine to the floor since the rubber base of the mounting keeps the machines in place. Whenever necessary, the machine can be easily re-positioned. The level is adjusted with load applied.

The rubber element of the level mount is oil and chemical resistant. All metal parts are zinc-plated and chromated for protection against corrosion.

Models TF 250, TF 600 and TF 1200 are also available in S/S (ISO 2604/11, BS 3605:1).

The mount, with level adjuster, is suitable for a wide range of free standing workshop machines.

### Typical Applications Include:

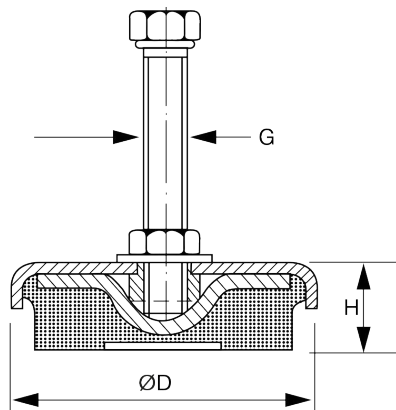
- Lathes and Milling machines

- Grinding machines
- Presses
- Plate shears
- Nibbling machines
- Punches and cutters

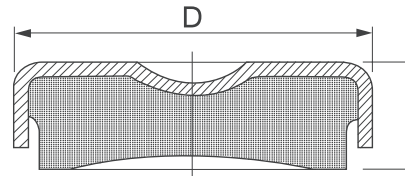


## TECHNICAL DRAWING

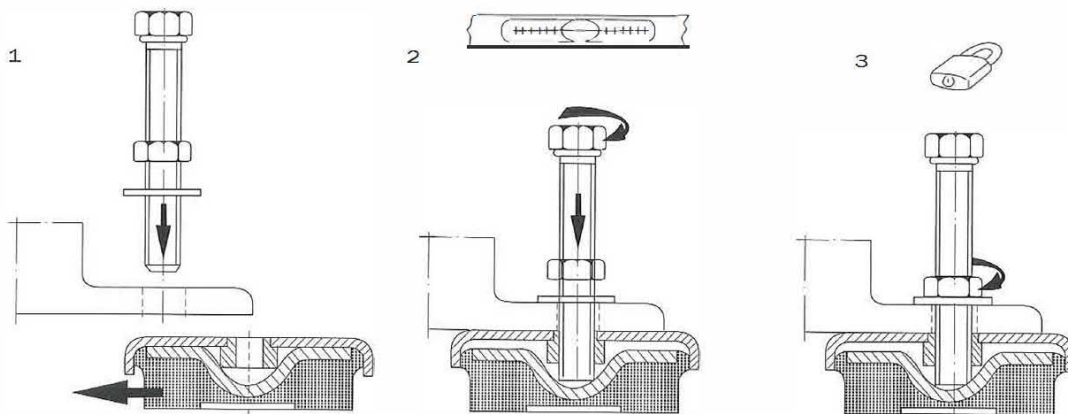
TF



TFE



### INSTALLATION INSTRUCTIONS



# Level Mount (TF)

## PRODUCT DATA

TYPE	DRAWING NO.	PART NO.	COMPOUND	DIMENSIONS (mm)			OVERALL BOLT LENGTH (mm)	MAX. LOAD (Kg)
				ØD	H	G		
<b>TF MOUNT</b>								
M80	050 18 023	96504	45 NBR 68	80	30	M12	80	80
		96505	60 NBR 68					
TF 250	19-0588	20-00623	-	69	23	M12	100	100
TF 250 S/S	19-0589	20-00678	-					
M80	050 18 023	96506	70 NBR 68	80	30	M12	80	80
		96507	75 NBR 68					
M120	050 18 020	96496	45 NBR 68	120	37	M12	100	100
		96497	55 NBR 68					
TF 600	19-0583	20-00624	-	81	25	M12	100	100
TF 600 S/S	19-0585	20-00679	-					
M120	050 18 020	96498	65 NBR 68	120	37	M12	100	100
TF 1200	19-0578	20-00625	-	108	29	M16	100	100
TF 1200 S/S		20-00680	-					
M160	050 18 021	96499	45 NBR 68	160	41	M16	120	120
	050 18 704	49039496	45 NBR 68				140	140
	050 18 021	96500	65 NBR 68				120	120
	050 18 704	49039497	65 NBR 68				140	140
	050 18 021	96501	70 NBR 68				120	120
	050 18 704	49014539	70 NBR 68				140	140
M185	050 18 022	96502	75 NBR 68	185	48	M20	160	160
TF 3000	19-0591	20-00626	-	151	35	M20	120	120
TF 4000	19-0596	20-00627	-	170	39	M20	120	120
M185	050 18 022	96503	85 NBR 68	185	48	M20	160	160
TF 6000	19-0598	20-00628	-	205	44	M24	150	150

DRAWING NO.	PART NO.	TYPE	DIMENSIONS (mm)		MAX. LOAD (kg)
			ØD	H	
<b>TFE MOUNT</b>					
19-0571	20-00629	TFE 601	80	25	800

