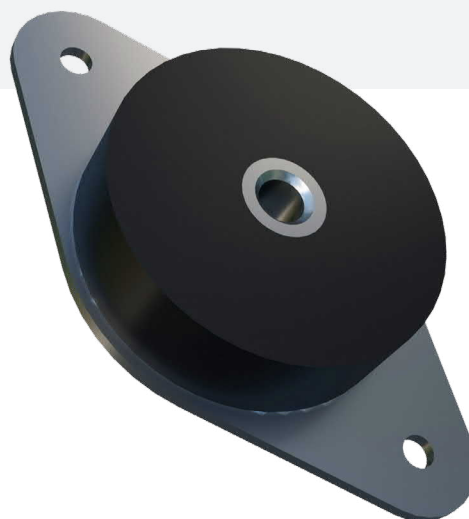


Instrument Mount

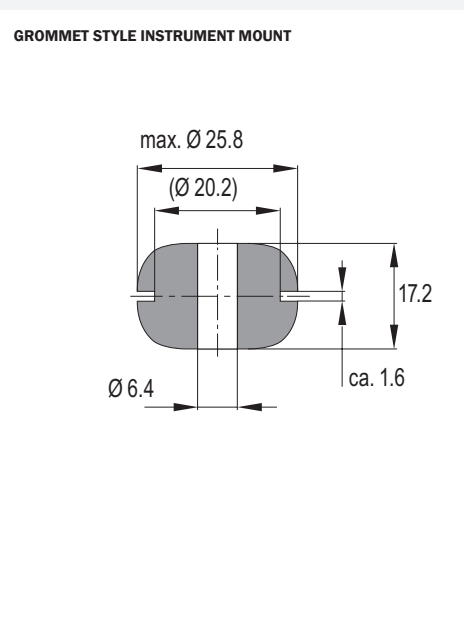
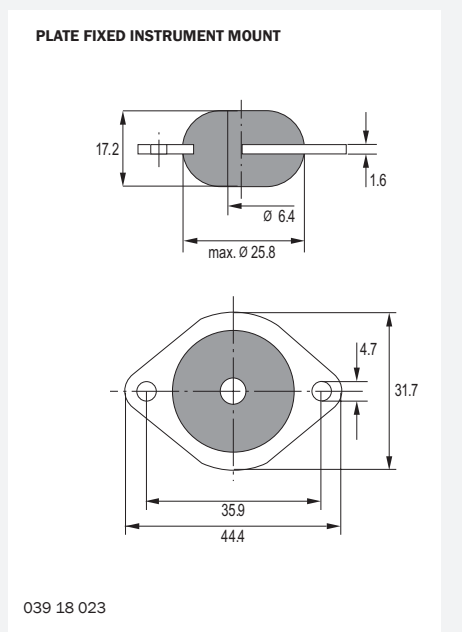
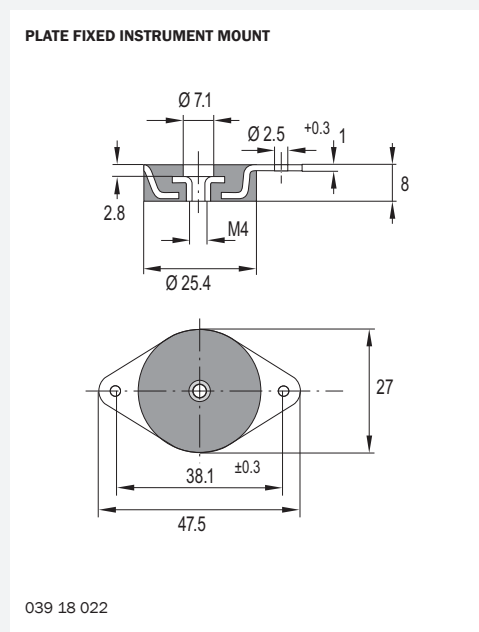
Instrument mounts are utilised for vibration insulation of electronic components, measuring devices and precise mechanical apparatuses and for instrument panels or control panels in industrial applications. A common requirement of these mounts is that they keep vibrations or shock loads introduced via the anchorages away from the instrument or device. The mounts help to protect sensitive instruments from external shock loads in mobile and non mobile use.

Typical Applications Include:

- Small electrical engines
- Electrical pumps



TECHNICAL DRAWING



PRODUCT DATA

DRAWING NO.	PART NO.	TYPE	AXIAL		RADIAL	
			STIFFNESS (N/mm)	MAX. LOAD (kg)	STIFFNESS (N/mm)	MAX. LOAD (kg)
PLATE FIXED INSTRUMENT MOUNT						
039 18 022	93657	40 NR511	240	12	200	20
039 18 023	93658	40 NR511	40	8	20	4.5
039 18 023	93659	50 NR511	65	13	40	7.5
039 18 023	93660	65 NR511	130	26	70	13
GROMMET STYLE INSTRUMENT MOUNT						
039 18 751	49039880	40 NR511	40	8	20	4.5
039 18 751	49039881	50 NR511	65	13	40	7.5
039 18 751	49039902	65 NR511	130	26	70	13