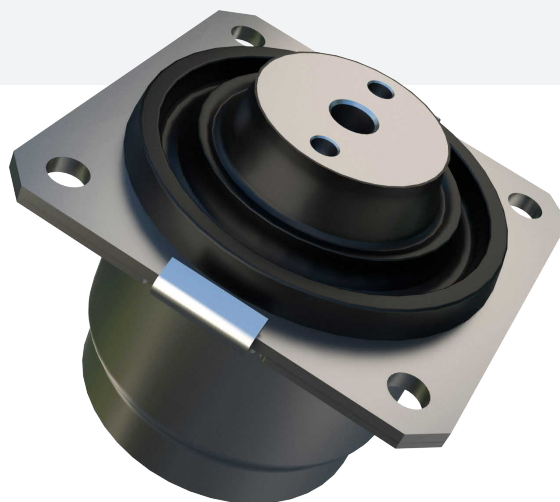


Hydro Mount VL

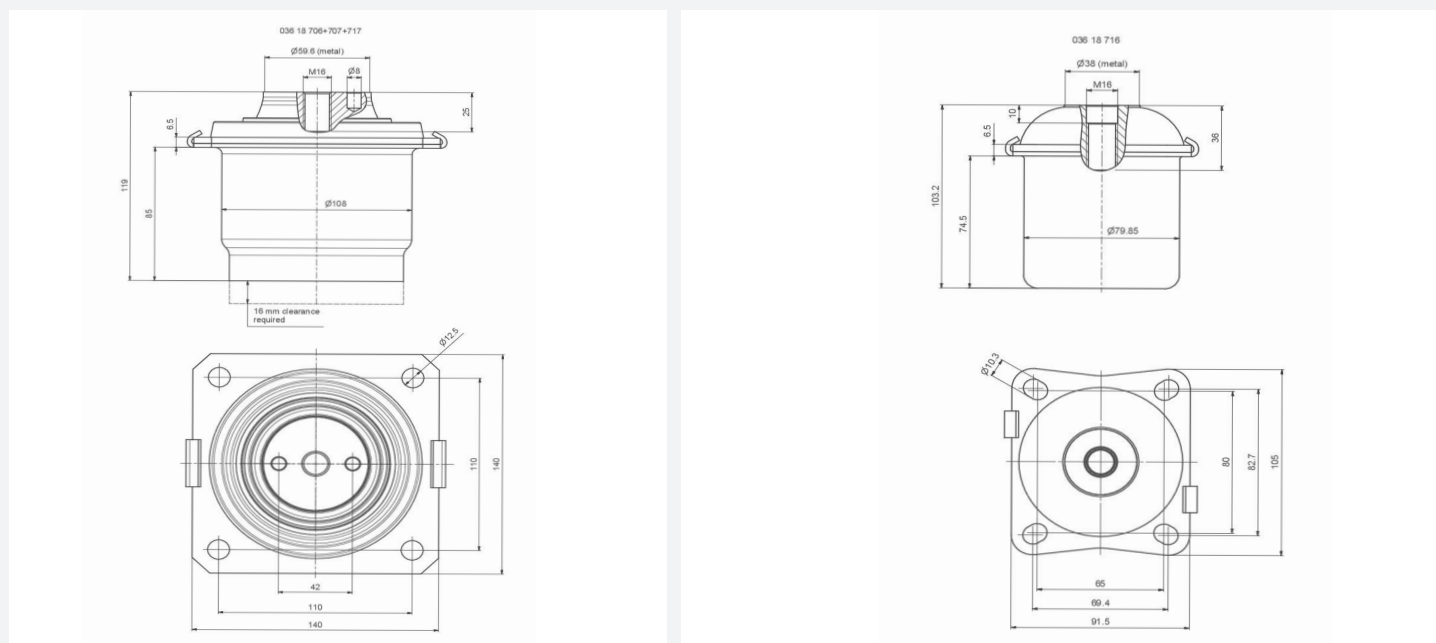
The mount design, the chosen fluid and the hydraulic mechanism provide the characteristic wide-band damping. In cases with remote excitation frequencies in the lower frequency range, the use of this hydro mount permits an optimal mounting. By precise reduction of the fluid chamber stiffness of one of the chambers, a significantly improved compromise of effective vibration reduction and structure-borne sound isolation is achieved as opposed to the hydro mounts without this design.

Typical Applications Include:

- Agriculture engines
- Construction vehicle engines
- Industrial vehicles
- Forest machinery
- Pumps and compressors



TECHNICAL DRAWING



PRODUCT DATA

DRAWING NO.	PART NO.	TYPE	AXIAL		RADIAL (X)
			STIFFNESS (N/mm)	MAX. LOAD (kg)	STIFFNESS (N/mm)
036 18 716	60901792	40 NR 11	380	305	900 (AT SZ=-4MM, SX=1,5MM)
	60900463	50 NR 11	640	510	1700 (AT SZ=-4MM, SX=1MM)
	60901793	60 NR 11	970	780	2850 (AT SZ=-4MM, SX=1,5MM)
	60901794	70 NR 11	1420	1130	3560 (AT SZ=-4MM, SX=1,5MM)

Hydro Mount VL

PRODUCT DATA

DRAWING NO.	PART NO.	TYPE	AXIAL		RADIAL (X)
			STIFFNESS (N/mm)	MAX. LOAD (kg)	STIFFNESS (N/mm)
036 18 707	49039040	40 NR 11	210	210	270
	49039041	45 NR 11	270	270	350
	49039082	50 NR 11	300	300	450
	49039083	55 NR 11	360	360	600
	49039084	60 NR 11	480	480	830
	49039085	65 NR 11	570	570	1100
	60901160	70 NR 11	650	650	1450*
036 18 706	49039034	40 NR 11	300	300	500
	49039035	45 NR 11	390	390	650
	49039036	50 NR 11	460	460	800
	49039037	55 NR 11	550	550	1100
	49039038	60 NR 11	700	700	1500
	49039039	65 NR 11	880	880	1950