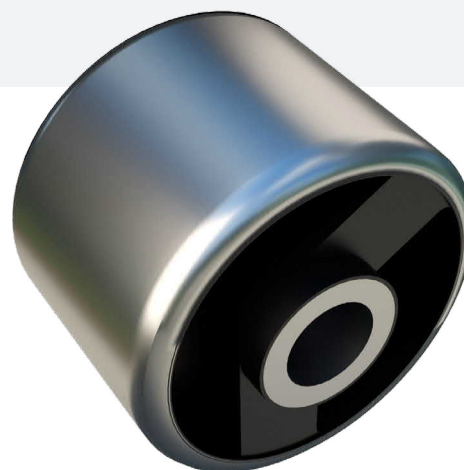


# Hydro Bush

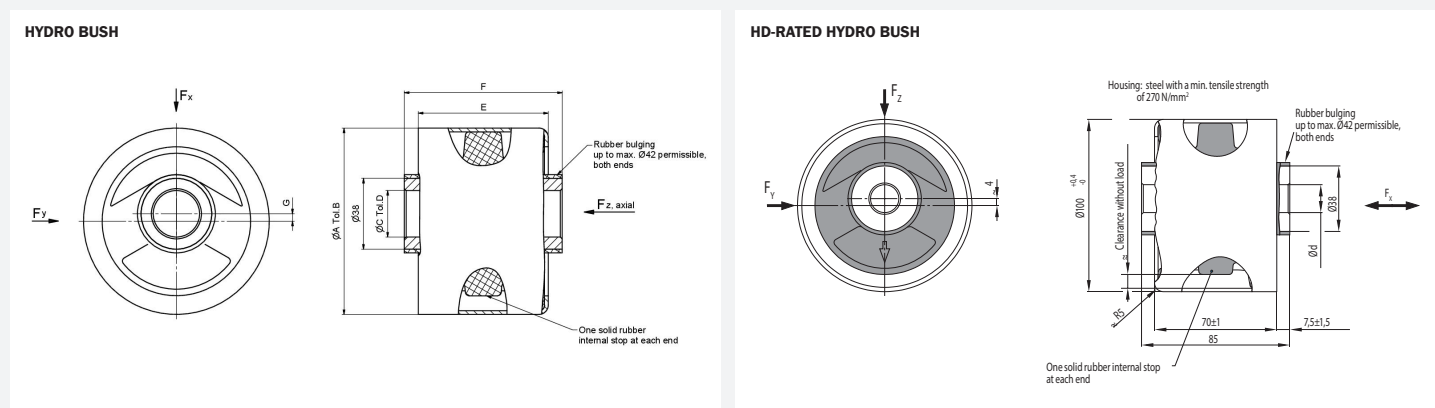
Hydro bushes are elastomer springs with integrated hydraulic damping. Suitable for mountings of combustion engines, cabs, pumps and compressors, mainly in agricultural machines and construction machinery. They are specifically suited when low frequencies occur as excitation frequency in the mount system. They achieve a high damping in the natural frequency range of the system as well as gut isolation properties above this range. All Hydro Bushes are galvanised to give extra resistance against corrosion.



### Typical Applications Include:

- Engine mounts
- Cab mount
- Pumps
- Compressors
- Industrial fans
- Sound enclosures
- Floating structures

## TECHNICAL DRAWING



## PRODUCT DATA

DRAWING NO.	PART NO.	TYPE	DIMENSIONS (mm)				AXIAL		RADIAL (Z)		RADIAL (Y)	
			HOUSING		ød	TOLERANCE FOR ød	STIFFNESS (N/mm)	MAX. LOAD (kg)	STIFFNESS (N/mm)	MAX. LOAD (kg)	STIFFNESS (N/mm)	MAX. LOAD (kg)
			øD	TOLERANCE FOR øD								
<b>HYDRO BUSH</b>												
046 18 013	95573	35 NR 11	100	+0.4/-0	25	+0.087/-0	110	55	220	110	300	150
046 18 708	507315	45 NR 11	100	+0.4/-0	32	+0.087/-0	220	110	320	160	600	300
046 18 014	595574	45 NR 11	100	+0.4/-0	25	+0.087/-0	220	110	320	160	600	300
046 18 015	595575	55 NR 11	100	+0.4/-0	25	+0.087/-0	330	165	500	250	830	415
046 18 714	49022864	55 NR 11	100	+0.4/-0	32	+0.087/-0	330	165	500	250	830	415
046 18 016	595576	62 NR 11	100	+0.4/-0	32	+0.087/-0	425	215	685	345	1070	535
046 18 017	95676	68 NR 11	100	+0.4/-0	32	+0.087/-0	520	260	840	420	1300	650
046 18 711	49022801	35 NR 11	100	+0.4/-0	32	+0.087/-0	110	550	220	110	300	150
<b>HD-RATED HYDRO BUSH</b>												
046 18 713	49022863	45 NR 11	100	+0.4/-0	32	+0.087/-0	220	110	320	160	600	300
046 18 705	477895	55 NR 11	100	+0.4/-0	32	+0.087/-0	330	165	500	250	830	415
046 18 715	49022865	62 NR 11	100	+0.4/-0	32	+0.087/-0	425	215	685	345	1070	535
046 18 702	600984	68 NR 11	100	+0.4/-0	32	+0.087/-0	520	260	840	420	1300	650
046 18 712	49022862	35 NR 11	100	+0.4/-0	32	+0.087/-0	110	550	220	110	300	150