

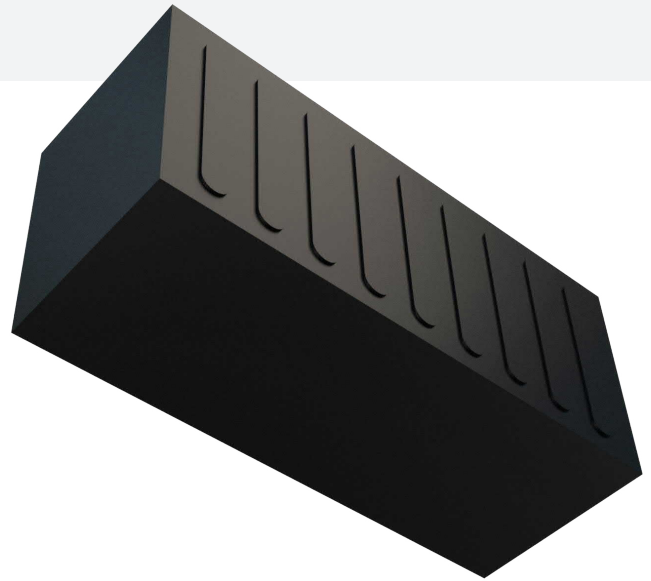
GK Mount

The GK Mount is specifically designed for isolation of heavy machinery with low interfering frequencies. It is widely used under concrete foundations supporting heavy machinery.

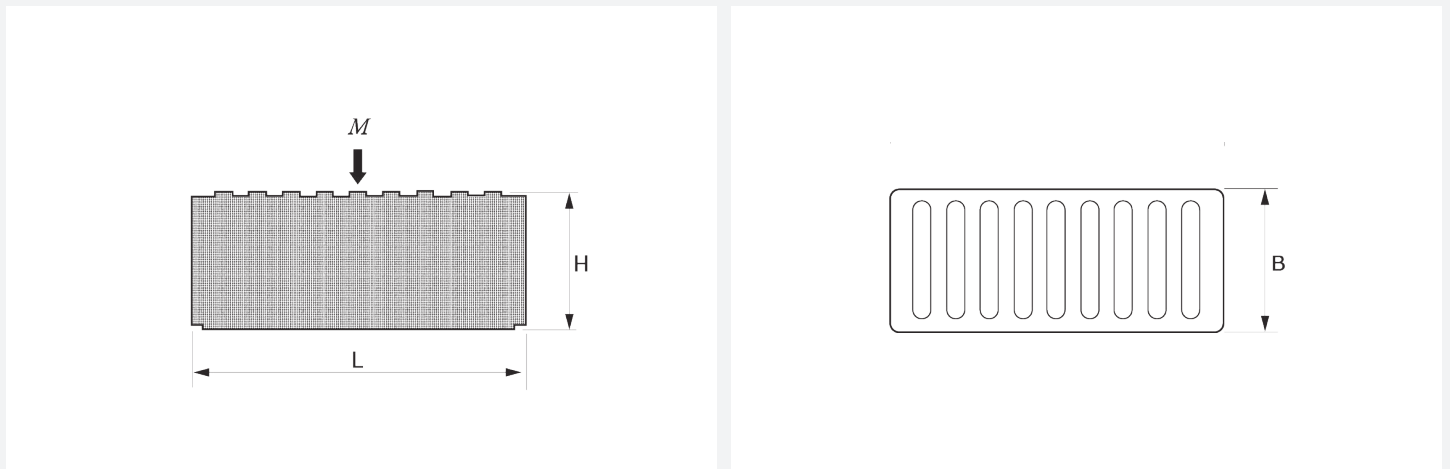
The long narrow section enables the GK to be suitable for fitting under a universal structural framing. Type GK is a heavy duty mounting with excellent flexible characteristics in both vertical and lateral planes. Deflection up to 30mm is possible, making the GK suitable for installations with low disturbing frequencies. Installation is simple, eliminating traditional methods of attachment to machinery or support structure.

Typical Applications Include:

- Mixers
- Converters
- Paper mills
- Gearboxes
- Industrial fans
- Sound enclosures
- Floating structures



TECHNICAL DRAWING



PRODUCT DATA

TYPE	DRAWING NO.	PART NO.	DIMENSIONS (mm)			MAX. LOAD (kg)
			L	B	H	
GK0-40	15-4041	10-00085	195	175	150	1800
GK0-60	15-4041	10-00101	195	175	150	3800
GK1-40	15-4042	10-00008	400	175	150	4000
GK1-60	15-4042	10-00009	400	175	150	8000