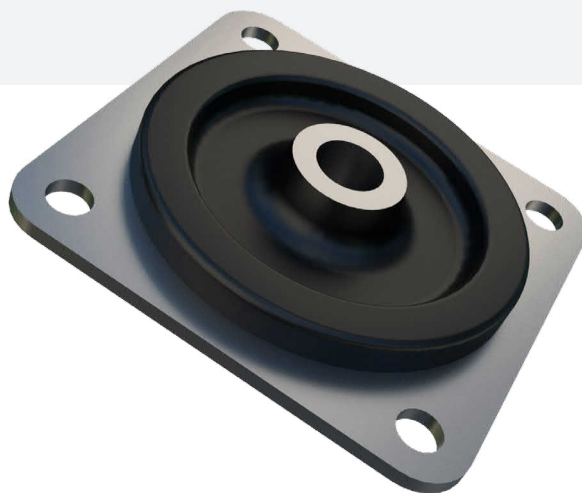


## Flanged Instrumounting

This mount is suitable for both mobile and static applications, for the protection of sensitive equipment from external vibration or for vibration isolation. Flanged instrumountings can become fail-safe if fitted with a washer to the top and bottom of the rubber section.

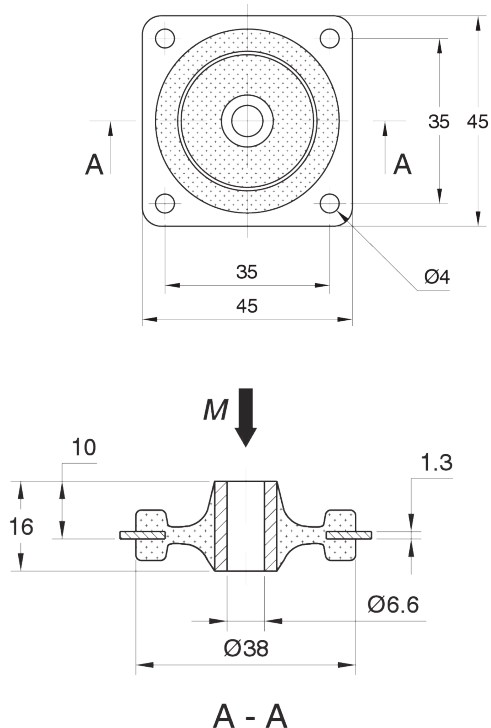
### Typical Applications:

- Small fan sets
- Transformers
- Sensitive equipment

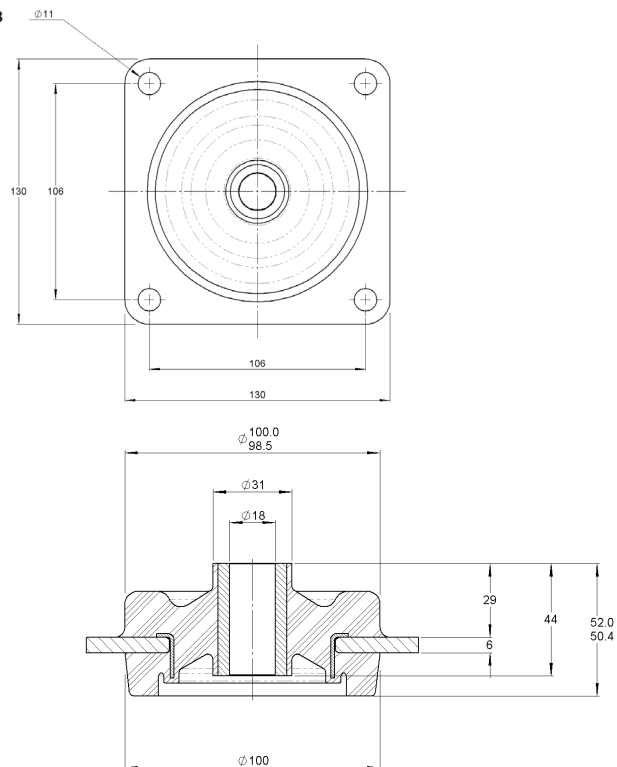


### TECHNICAL DRAWING

17-1801



17-4573



### PRODUCT DATA

DRAWING NO.	PART NO.	TYPE	MAX. LOAD (kg)
17-1801	10-00583	45 °IRHD	2.7
	10-00584	60 °IRHD	5.4
17-4573	10-04819	45 °IRHD	75
	10-04820	60 °IRHD	150