

Equi-frequency Mounting – Small

This is a general purpose low-profile mount for use where space is restricted. Best suited for stationary applications. May also be used to protect delicate or sensitive equipment from shock or disturbances.

Each design has the same stiffness in vertical and horizontal directions and can be used as small anti-shock mounting when static loadings are derated.

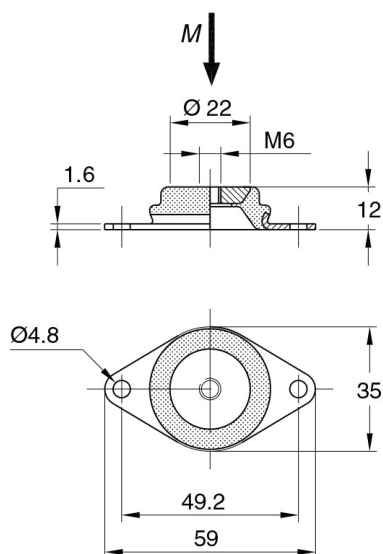
Typical Applications:

- Instrumental panels
- Small fan sets
- Small vacuum pumps
- Small reciprocating engines

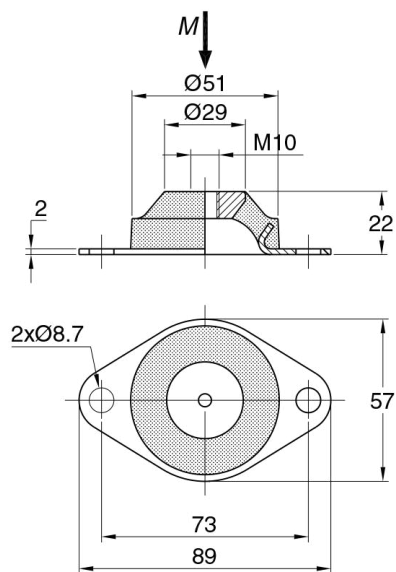


TECHNICAL DRAWING

17-1566



17-0389



PRODUCT DATA

DRAWING NO.	PART NO.	TYPE	MAX. LOAD (kg)	STIFFNESS (N/mm)	MAX. BOLT TORQUE (Nm)
17-1566	10-00529	45 °IRHD	11	75	7
	10-00530	60 °IRHD	22	130	
17-0389-5	10-00406	45 °IRHD	27	100	20
	10-00407	60 °IRHD	54	180	