

EH Mount

The EH is designed primarily for mobile applications where high dynamic and shock forces are encountered. Dynamic vertical movements in both the directions are restricted and excellent horizontal stability is provided.

The function of EH includes features as:

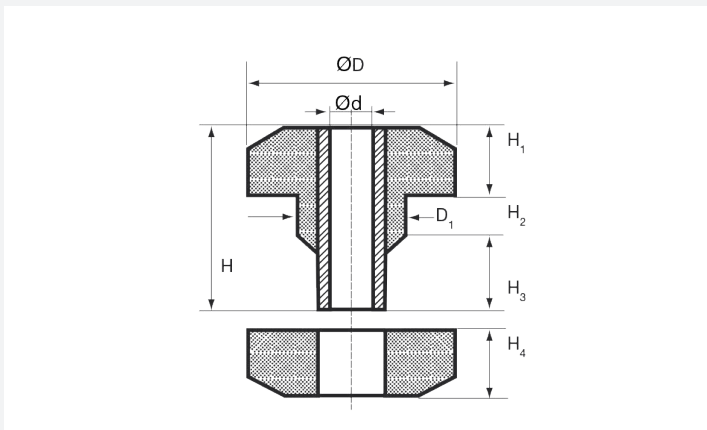
- Dynamic efficiency in all directions
- Attenuation of structure-borne noise
- Accommodation of misalignment and distortion
- Simple design-easy to install
- Fail-safe installation
- Wide load range, 40 to 1200 kg

Typical applications Include:

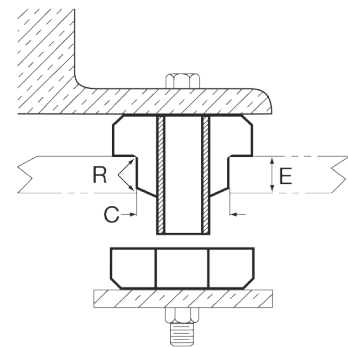
- Military vehicles
- Agriculture vehicles
- Construction equipment
- Transport machinery
- Industrial mobile machinery



TECHNICAL DRAWING



MACHINE IN OPERATION



PRODUCT DATA

TYPE	DRAWING NO.	PART NO.	HARDNESS	DIMENSIONS (mm)											AXIAL STIFFNESS (N/mm)	MAX. LOAD (kg)	BOLT SIZE	MAX. BOLT TORQUE (Nm)	WASHER PART NO.
				Ød	ØD	ØD ₁	H	H ₁	H ₂	H ₃	H ₄	C	E	R					
EH (MO LAGER)																			
039 18 799/111		60900572	50 NR511	8.1	22	-	17	-	-	-	-	13.5	4	-	400	25	M6 8.8 / M8 5.6	9,9 / 11	-
		60900531	50 CR 57																
039 18 799/111		60900533	60 CR 57	8.1	22	-	17	-	-	-	-	13.5	4	-	730	45	M6 8.8 / M8 5.6	9,9 / 11	-
EH 4850	19-0213-1	20-00621	40 °IRHD	13	50	32.6	50	20	10	20	20	31.8	15	1.5	430	60	M12	40	20-00416
		20-01504	40 °IRHD (CR)																
039 18 754		49011344	42 CR	13.5	48	33	50	20.5	-	-	19.5	33.5	12	-	200	80	M10 8.8 / M12 5.6	47 / 39	
EH 6463	19-0214-1	20-00619	40 °IRHD	17	64	40	62	23	14	25	23	39	22	2.3	585	90	M16	80	20-01495
039 18 753/111		49031354	40 CR	9	33	20	30	11	-	-	11	20.5	9	-	270	97	M6 6.8 / M8 5.6	7,5 / 11	-

EH Mount

PRODUCT DATA

TYPE	DRAWING NO.	PART NO.	HARDNESS	DIMENSIONS (mm)											AXIAL STIFFNESS (N/mm)	MAX. LOAD (kg)	BOLT SIZE	MAX. BOLT TORQUE (Nm)	WASHER PART NO.
				Ød	ØD	ØD ₁	H	H ₁	H ₂	H ₃	H ₄	C	E	R					
	039 18 755	49012351	42 CR	13.5	48	31.5	50	20.5	-	-	19.5	31.5	13	-	335	100	M10 8.8 / M12 5.6	47 / 39	-
EH 4850	19-0213-1	20-00620	60 °IRHD	13	50	32.6	50	20	10	20	20	31.8	15	1.5	865	100	M12	40	20-00416
EH 4850	19-0213-1	20-01510	60 °IRHD (CR)	13	50	32.6	50	20	10	20	20	31.8	15	1.5	865	100	M12	40	20-00416
EH 6463	19-0214-1	20-02499	50 °IRHD	17	64	40	62	23	14	25	23	39	22	2.3	900	130	M16	80	20-01495
	039 18 765	49029937	45 CR 57	9	48	33	50	20.5	-	-	19.5	33.5	13	-	340	136	M8 12.9	40	-
		49038236	50 CR 57												420	170			
EH 4850	19-0213-1	20-02656	75 °IRHD (CR)	13	50	32.6	50	20	10	20	20	31.8	15	1.5	146	175	M12	40	20-00416
	039 18 755	2129379	55 CR	13.5	48	31.5	50	20.5	-	-	19.5	31.5	13	-	600	180	M10 8.8 / M12 5.6	47 / 39	-
	039 18 754	511454	64 CR			33						33.5	12		470	190			
EH 6463	19-0214-1	20-00618	60 °IRHD	17	64	40	62	23	14	25	23	39	22	2.3	1420	200	M16	80	40-05019
EH 9075	19-0727-1	20-00617	40 °IRHD	23	89	58	73	25	19	29	25	57.2	28	3	1056	200	M20	200	20-00533
	039 18 768	49038161	45 CR	16.7	64.8	40.1	61.7	22.9	-	-	22.9	40.6	20	-	545	220	M12 5.6	39	-
EH 9075	19-0727-1	20-02835	45 °IRHD (CR)	23	89	58	73	25	19	29	25	57.2	28	3	1330	230	M20	200	20-00533
	039 18 773	49043630	50 CR	14	64.8	-	61.7	-	-	-	-	40.6	20	-	650	260	M12 10.9	105	-
	039 18 765	49038235	60 CR 57	9	48	33	50	20.5	-	-	19.5	33.5	13	-	730	290	M8 12.9	40	-
EH 9075	19-0727-1	20-02836	50 °IRHD (CR)	23	89	58	73	25	19	29	25	57.2	28	3	1800	295	M20	200	20-00533
EH 6463	19-0214-1	20-01860	70 °IRHD	17	64	40	62	23	14	25	23	39	22	2.3	2087	300	M16	80	20-01495
	039 18 755	511452	64 CR	13.5	48	31.5	50	20.5	-	-	19.5	31.5	13	-	1030	310	M10 8.8 / M12 5.6	47 / 39	-
EH 9075	19-0727-1	20-02837	55 °IRHD (CR)	23	89	58	73	25	19	29	25	57.2	28	3	2200	370	M20	200	20-00533
	039 18 755	49003069	75 CR	13.5	48	31.5	50	20.5	-	-	19.5	31.5	13	-	1300	390	M10 8.8 / M12 5.6	47 / 39	-
	039 18 766	49042472	45 CR 57	21	89	58.4	73	25.4	-	-	23	58.9	29	-	980	390	M16 5.8 / M20 4.6	126 / 147	-
		49033624	45 CR 57																INCLUDED
	039 18 773	60905067	60 CR	14	64.8	-	61.7	-	-	-	-	40.6	20	-	1000	400	M12 10.9	105	-
	039 18 766	49042473	50 CR 57	21	89	58.4	73	25.4	-	-	23	58.9	29	-	1060	420	M16 5.8 / M20 4.6	126 / 147	-
		49036771	50 CR 57																INCLUDED
EH 9075	19-0727	20-00616	60 °IRHD	23	89	58	73	25	19	29	25	57.2	28	3	2400	450	M20	200	20-00533
		20-01508	60 °IRHD (CR)																
	039 18 765	49038234	75 CR 57	9	48	33	50	20.5	-	-	19.5	33.5	13	-	1160	460	M8 12.9	40	-
	039 18 768	49038160	60 CR	16.7	64.8	40.1	61.7	22.9	-	-	22.9	40.6	20	-	1230	490	M12 5.6	39	-
	039 18 753/111	49044363	75 CR	9	33	20	30	11	-	-	11	20.5	9	-	1450	522	M6 6.8 / M8 5.6	7.5 / 11	-
	039 18 766	49042474	60 CR 57	21	89	58.4	73	25.4	-	-	23	58.9	29	-	1600	640	M16 5.8 / M20 4.6	126 / 147	-
		49036770	60 CR 57																INCLUDED
EH 1127	13-4109-1	20-02876	70 °IRHD	37.8	124	64.8	85.9	31.8	22.3	31.8	31.8	64	31.8	4	6497	1750	M24	300	CONTACT FOR DETAILS
	039 18 766	49042475	75 CR 57	21	89	58.4	73	25.4	-	-	23	58.9	29	-	5200	2000	M16 5.8 / M20 4.6	126 / 147	-
		49036769	75 CR 57																INCLUDED
	039 18 774	49045418	60 CR	25	124	-	87	-	-	-	-	64.5	28	-	5612	2250	M20 5.6 / M24 4.6	184 / 255	-