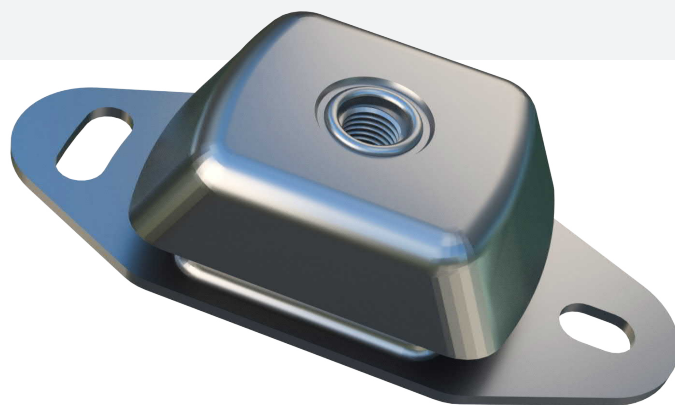


Cushyfloat Mounting

The Cushyfloat mounting is a general purpose unit designed to provide effective isolation of vibration and noise arising from both static and mobile equipment. Originally designed for use with marine engines, the Cushyfloat is a simple to install, compact, low profile mounting. It combines 3 way control of the suspended equipment with relatively large static deflections where the rubber is loaded in shear and compression.

The design incorporates bump and rebound control features which limits excessive movement under shock loading. Top metal gives protection against oil contamination and the protective finish resists corrosion attack. Propeller thrust on marine applications is accommodated.

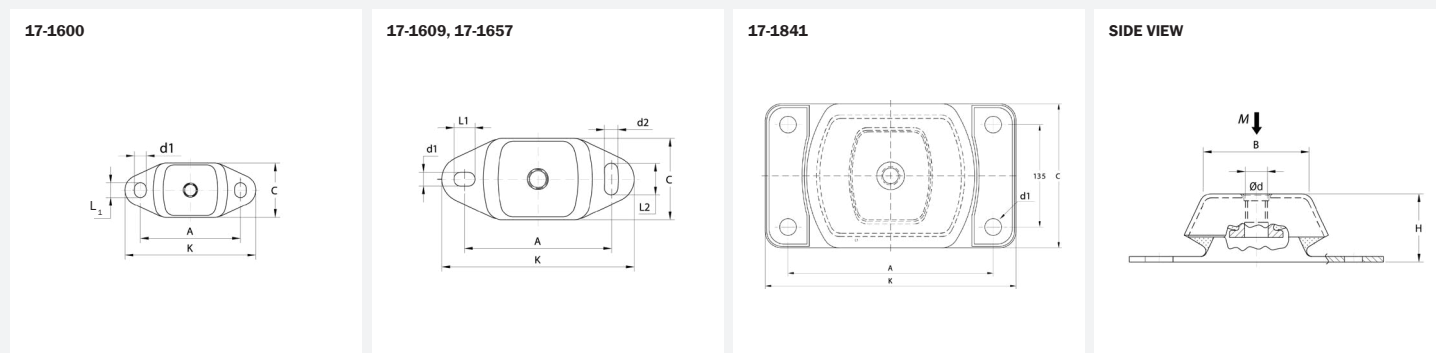
There are four sizes in the standard range with varying degrees of rubber hardness catering for point loads from 32Kg to 3000kg. Natural frequencies as low as 8Hz are possible.



Typical Applications Include:

- Marine/Industrial vehicle engines
- Generator sets
- Pumps and compressors

TECHNICAL DRAWING



*When used in marine engine application when thrust forces are involved, the maximum load capacity is substantially reduced.

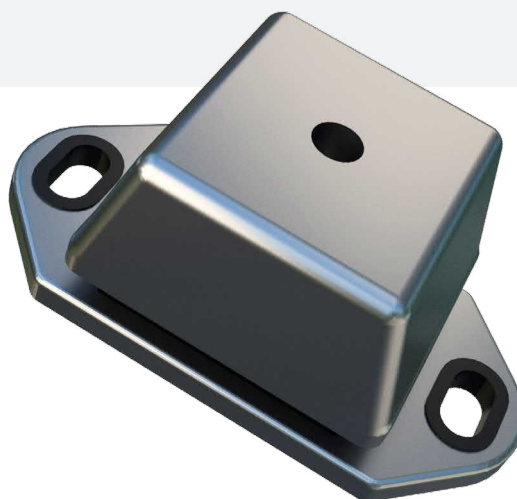
PRODUCT DATA

DRAWING NO.	PART NO.	TYPE	DIMENSIONS (mm)										MAX. LOAD (kg)		MAX. THRUST LOAD (N)	MAX. BOLT TORQUE (Nm)	
			B	C	A	K	H	d ₁	L ₁	d ₂	L ₂	Ød	VERTICAL	*VERTICAL WITH THRUST			
17-1600-1	10-00535	45 °IRHD	62	60	100	120	38-40.5	11	14	11	14	M12	50	35	370	25	
	10-00536	55 °IRHD											65	55			560
	10-00537	65 °IRHD											100	80			830
	10-04525	75 °IRHD											145	115			1200
17-1609-1	10-00545	45 °IRHD	76	75	140	183	49	13	20	13	30	M16	150	95	1000	50	
	10-00546	55 °IRHD											210	140			1500
	10-00547	65 °IRHD											300	210			2300
	10-00548	75 °IRHD											450	315			3300
17-1657-1	10-00557	45 °IRHD	72	112.5	182	228	70	18	26	18	34	M20	300	250	2800	100	
	10-00558	55 °IRHD											520	370			4200
	10-00559	65 °IRHD											800	560			6400
	10-00560	75 °IRHD											1000	700			11800
17-1841-2	10-00605	40 °IRHD	120	190	270	330	112	22	-	-	-	M24	950	630	5300	200	
	10-00606	50 °IRHD											1400	945			7100
	10-00607	60 °IRHD											2200	1575			12500
	10-00608	70 °IRHD											3000	2100			18000

Cushyfloat HT Mounting

The Cushyfloat HT (High Thrust) mounting has been developed to meet the increased torque output and higher thrust load requirements of many modern marine power units. By careful design of the rubber section, relatively high degrees of flexibility in the vertical and lateral modes are combined with high stiffness in the longitudinal fore and aft direction, thereby giving good vibration isolation properties and minimum movement under thrust forces.

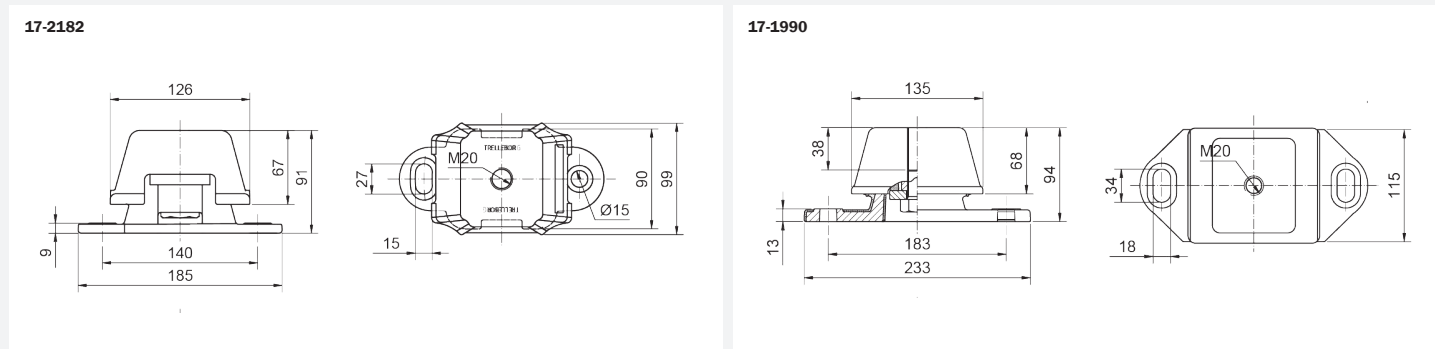
The design incorporates bump and rebound control features which limit excessive movements under shock loading. The mountings have a high inbuilt tensile strength which renders them suitable for the suspension of power units in lifeboat applications. The top gives protection against oil contamination and the protective finish resists corrosion attack. Two designs and different rubber compounds allow loads between 85 and 1070Kg to be accommodated.



Typical applications include:

- Marine Engines

TECHNICAL DRAWING



PRODUCT DATA

DRAWING NO.	PRODUCT NO.	TYPE	MIN VERTICAL LOAD (Kg)	MAX. VERTICAL LOAD (Kg)	STATIC STIFFNESS (kN/mm)	DYNAMIC STIFFNESS (kN/mm)	MIN DEFLECTION (mm)	MAX DEFLECTION (mm)	MAX. BOLT TORQUE (Nm)
17-2182-1	10-01143	35 °IRHD	85	140	0	0	3	5	100
	10-01144	45 °IRHD	125	209	1	1			
	10-03014	55 °IRHD	204	339	0.96	1.2			
	10-02930	65 °IRHD	301	499	1.53	2.06			
17-1990-1	10-01150	45 °IRHD	150	571	1.6	1.85	1	4	100
	10-03146	60 °IRHD	296	1070	3	3.9			

NOMINAL STIFFNESS RATIOS

DRAWING NO.	VERTICAL	LATERAL	LONGITUDINAL
17-2182-1	1	0.85	6
17-1990-1	1	0.25	9

Cushyfloat HD Mounting

The latest generation of Cushyfloat is a completely new and innovative design which offers engine manufacturers and boat builders Maximum versatility. This product has multiple performance benefits for customers whose requirements may be varied and challenging for conventional solutions.

The HD Cushyfloat has excellent performance characteristics with: Up to 10mm linear vertical deflection, with low horizontal stiffnesses. This enables improved vibration isolation – even at the low end of the engine speed range. Vertical and lateral buffering within the design limits the movement of the engine in tough service conditions.

The HD Cushyfloat provides simplicity for engines manufacturers and end users with: An interchangeable footprint with existing mountings; minimizing retrofit installation issues.

The entire range can be formulated from just three rubber mixes; therefore reducing inventory requirements and the complexity of product selection. Installation is aided by sighting grooves so that it is easy to align the engine, and ensure the correct load distribution.

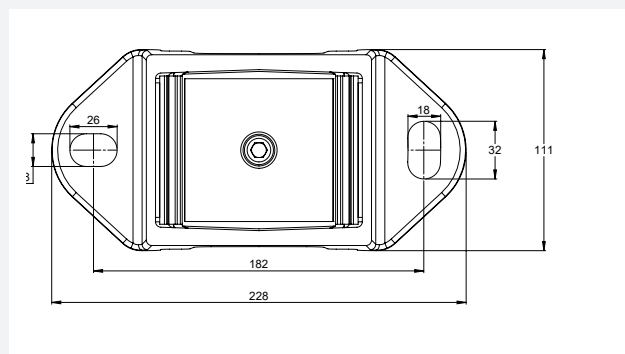
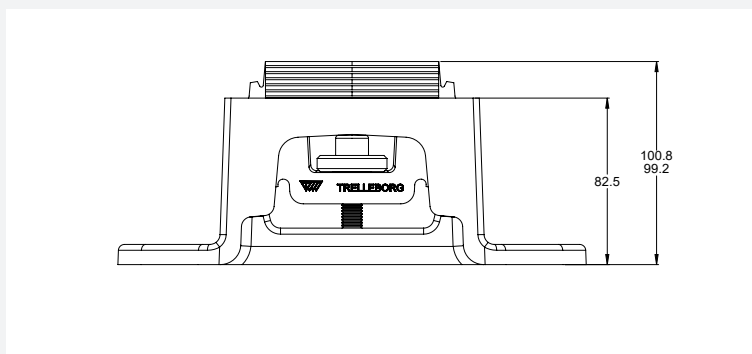
More cost effective product life and serviceability due to its modular design. Upon refurbishment, the outer casting can be re-used.



Typical Applications Include:

- Marine/Industrial vehicle engines
- Generator sets
- Pumps and compressors

TECHNICAL DRAWING



PRODUCT DATA

DRAWING NO.	PART NO.	TYPE	MAX. LOAD (kg)	MAX. THRUST LOAD (kg)	MAX. THRUST (kN)		STATIC STIFFNESS (N/mm)	MAX. BOLT TORQUE (Nm)
					CONTINUOUS	INTERMITTENT		
17-4726-1	10-02308	40 °IRHD	220	155	2.45	3.19	270	170
	10-02108	50 °IRHD	320	220	3.67	4.78	390	
	10-02109	60 °IRHD	470	330	5.51	7.16	575	
17-4792-1	10-02159	40 °IRHD	530	370	5.33	6.93	650	170
	10-02114	50 °IRHD	735	515	7.96	10.35	900	
	10-02160	60 °IRHD	980	685	14.7	19.11	1200	

Cushyfoot Mounting

Cushyfoot mountings have two rubber elements, used in shear and compression, to provide excellent stiffness characteristics for the isolation of a wide range of vibration frequencies.

There are three sizes, 17-0290 for loads up to 230 kg per mounting, 17-0213 for loads up to 1250 kg and 17-0346, which will carry up to 1280 kg per mounting, will provide up to 16 mm static deflection.

The Cushyfoot mounting benefits from the following features:

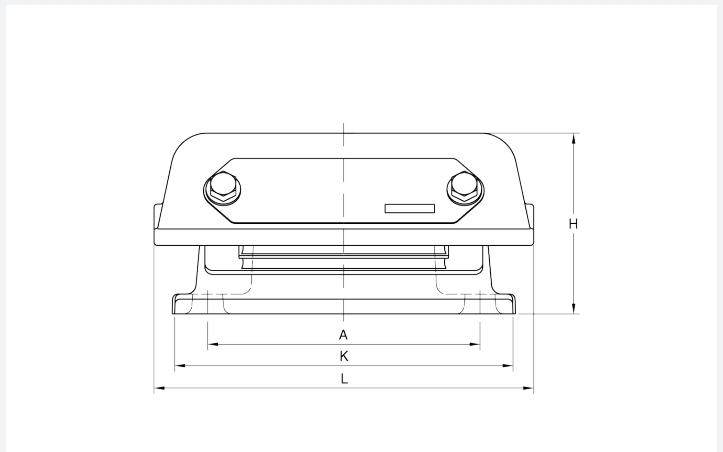
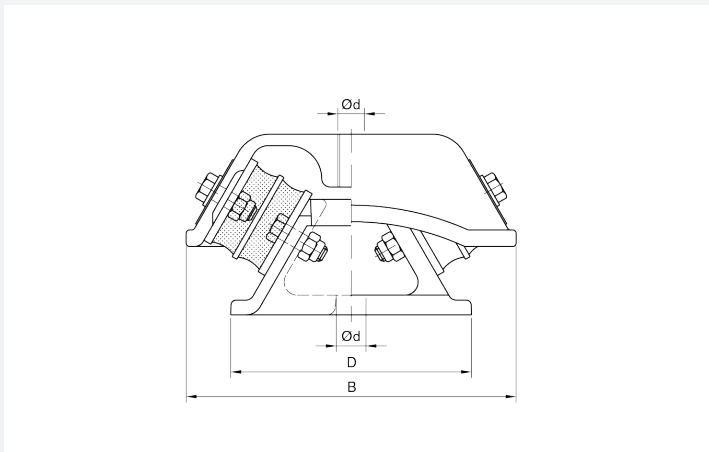
- A wide load range from 50 to 1280 kg
- Strong casting for safety and reliability
- Dissimilar horizontal stiffness gives optimum isolation and motion control

Typical applications Include:

- Diesel engines
- Generator sets
- Compressors
- Fans
- Hydraulic units
- Lift machinery



TECHNICAL DRAWING



Cushyfoot Mounting

PRODUCT DATA

DRAWING NO.	PART NO.	TYPE	DIMENSIONS (mm)								MAX. LOAD (kg)
			L	B	A	K	H	D	Ød	G	
17-0290-1	20-00689	45 °IRHD	122	132	90	114	72	82	13	M16	115
050 18 001	96808	45 NR 511	121	127	90	115	72	83	11	M12	150
	49047069	45 NR 511								M16	
	96806	50 NR 511								M12	190
	49041129	50 NR 511								M16	
17-0290-1	10-04251	60 °IRHD	122	132	90	114	72	82	13	M16	230
050 18 001	96809	65 NR 511	121	127	90	115	72	83	11	M12	310
	49047070	65 NR 511								M16	
17-0290-1	10-04116	70 °IRHD	122	132	90	114	72	82	13	M16	340
050 18 004	596744	45 NR 511	228	203	165	203	120	146	17.5	M16	500
050 18 001	96807	75 NR 511	121	127	90	115	72	83	11	M12	530
	49047071	75 NR 511								M16	
17-0213	10-04106	45 °IRHD	230	204	165	205	110	148	18	M16	590
050 18 002	96802	45 NR 511	228	203	165	203	110	146	17.5	M16	650
17-0346-1	10-04123	45 °IRHD	230	204	165	205	123	148	18	M16	630
050 18 004	96800	58 NR 511	228	203	165	203	120	146	17.5	M16	850
050 18 002	96805	58 NR 511					110				950
050 18 004	96920	65 NR 511					120				
050 18 002	96804	65 NR 511					110				
050 18 004	96801	75 NR 511					120				1250
17-0213	10-04104	60 °IRHD					230				
17-0346-1	10-04120	60 °IRHD	123	M16	1280						
050 18 002	96803	75 NR 511	228	203	165	203	110	146	17.5	M16	1600

Cushyfloat Mini HD Mounting

Trelleborg Mini HD Cushyfloat mounts combine 3 way control of suspended equipment with large static deflections where the rubber is loaded in shear and compression. The design incorporates bump and rebound control features which limits excessive movement under shock loading. The easy to install mount features a prominent use of lightweight engineered plastics which offer greater environmental protection with no compromise in product performance.

The achievable benefits of the Mini HD Cushyfloat as:

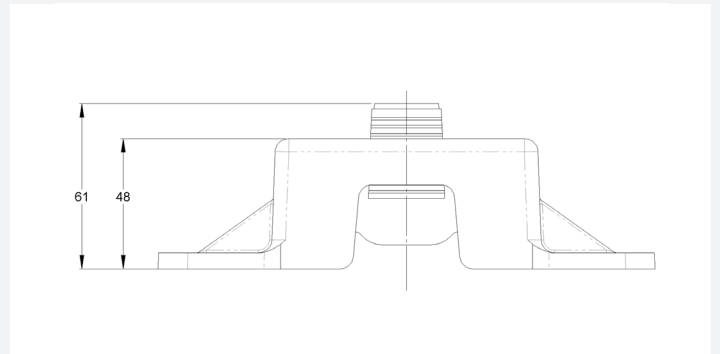
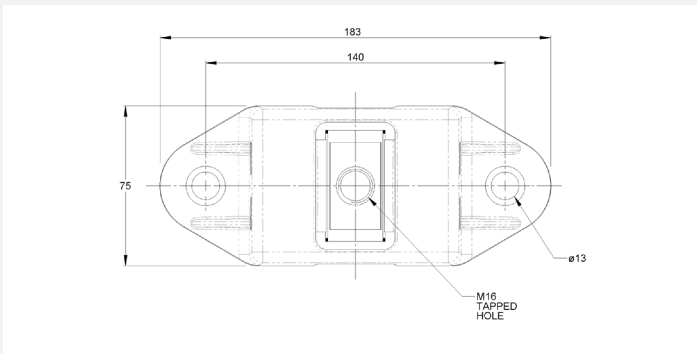
- Large linear vertical deflection
- Similar stiffness ratios to same footprint part (17/1609)
- Corrosion resistant materials
- Lightweight part (0.45kg)
- Modular and failsafe design
- Wide loading capability.

Typical Applications Include:

- Marine, industrial and vehicle engines
- Generator sets
- Pumps
- Compressors
- Refrigeration systems



TECHNICAL DRAWING



PRODUCT DATA

DRAWING NO.	PART NO.	TYPE	MAX. LOAD (Kg)	MAX. THRUST LOAD (Kg)	STATIC STIFFNESS (kN)	MAX. TRUST (n)		MAX. BOLT TORQUE (Nm)
						CONTINUOUS	INTERMITTENT	
17-4944-1	10-02322	50 °IRHD	100	91	130	1100	1650	60
	10-02036	60 °IRHD	160	112	210	1650	2450	
	10-02037	70 °IRHD	220	154	280	2450	3675	

DRAWING NO.	vertical	LATERAL	LONGITUDINAL
17-4944-1	1	0.3	2.5