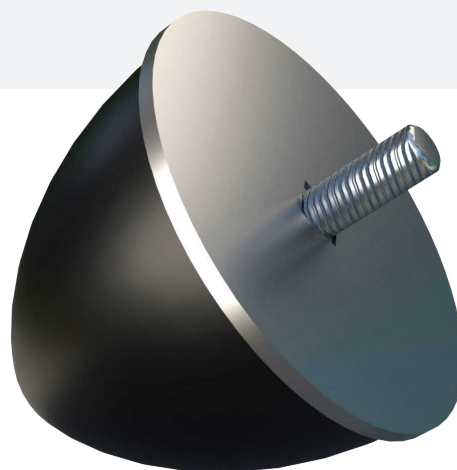


Buffers and Zellpuffer

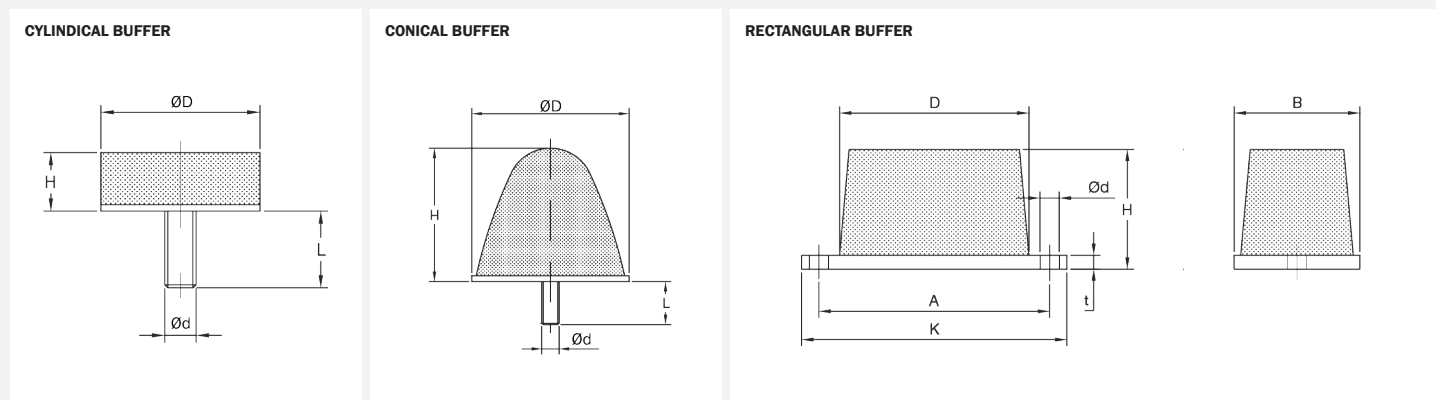
Buffers are designed to protect structures and equipment from impact forces. They are usually fitted as non-metallic stops or incorporated in vehicle suspension systems to provide progressive stiffening under increasing load. Circular and rectangular types are easily fitted.

Typical applications include:

- Cranes
- Dump Trucks
- Off-Road Vehicles
- Handling Equipment
- Vehicle Suspensions



TECHNICAL DRAWING



PRODUCT DATA

DRAWING NO.	PART NO.	DIMENSIONS (mm)					MAX. LOAD (kg)	MAX. DEFLECTION (mm)	MAX. BOLT TORQUE (Nm)
		ØD	H	Ød	L	t			
CYLINDRICAL BUFFER									
15-3463	10-00341	21	19	M6	15	-	100	8	8.3
031 18 588	92896	58	64	M12	-	10	400	6	-
15-3459	10-00337	50.8	19	M10	25	-	640	7	40
031 18 587	90478	58	106	M12	-	10	660	21	-
031 18 001	54001785	100	80	M16	36	-	4500	11	95
031 18 001	54001786	100	80	M16	36	-	7000	11	95
CONICAL BUFFER									
15-3462	10-00340	28.6	37	M6	15	-	100	18	8.3
15-3443	10-00335	108	119	M12	30	-	200	60	70
15-3461	10-00339	38	38	M8	20	-	250	18	20
15-3445	10-00336	108	93	M12	30	-	250	53	70
15-3435	10-00334	48	51	M10	25	-	270	18	40
15-3460	10-00338	70.3	46	M12	30	-	500	15	70

Buffers and Zellpuffer

PRODUCT DATA

DRAWING NO.	PART NO.	DIMENSIONS (mm)							MAX. LOAD (kg)	MAX. DEFLECTION (mm)
		H	K	B	t	Ød	A	D		
RECTANGULAR BUFFER										
19-0564	20-00417	22	84	32	3	6.7	68.5	51	815	7
15-0260	10-00317	36.5	155.5	63.5	6	13.5	127	89	1000	10
15-0437	10-00322	55	120.5	47.5	6	8.7	104.8	86	1750	24
15-0238	10-00315	55	120.5	57	6	8.7	104.8	86	4600	23
15-0238	10-00316	55	120.5	57	6	8.7	104.8	86	6760	23

Buffers and Zellpuffer

Zellpuffers feature a very robust design. The wide selection of sizes allows for a universal use. Zellpuffers are particularly suited as resilient deflection limiters and for buffering shock loads with mobile and non mobile driven machines and as stops in general.

The Zellpuffer are manufactured from Pu, Diplocell.



TECHNICAL DRAWING

SHAFT FIXED ZELLPUFFER

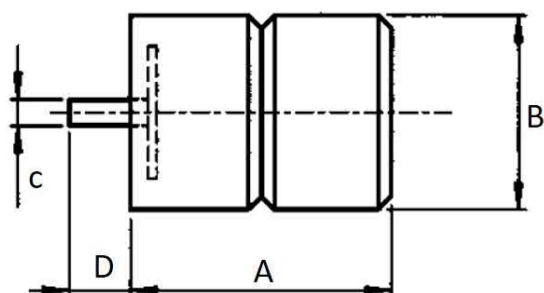
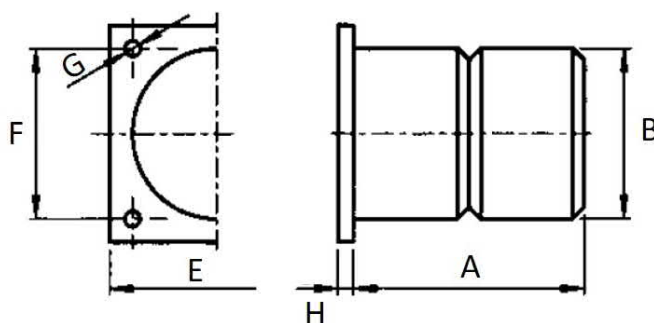


PLATE FIXED ZELLPUFFER



PRODUCT DATA

DRAWING NO.	PART NO.	DIMENSIONS (mm)							
		A	ØB	C	D	E	F	ØG	H
PLATE FIXED ZELLPUFFER									
70.10031	54006110	40	80	-	-	110	80	12.5	10
70.10032	54006111	80	80	-	-	110	80	12.5	10
70.10033	54006112	120	80	-	-	110	80	12.5	10
70.10013	54006092	100	100	-	-	125	100	12.5	10
70.10014	54006093	150	100	-	-	125	100	12.5	10
70.10015	54006094	63	125	-	-	160	125	17	12
70.10016	54006095	125	125	-	-	160	125	17	12
70.10017	54006096	190	125	-	-	160	125	17	12
70.10018	54006097	80	160	-	-	200	160	17	12
70.10019	54006098	160	160	-	-	200	160	17	12
70.10020	54006099	240	160	-	-	200	160	17	12

Buffers and Zellpuffer

PRODUCT DATA

DRAWING NO.	PART NO.	DIMENSIONS (mm)							
		A	ØB	ØC	D	E	F	ØG	H
PLATE FIXED ZELLPUFFER									
70.10021	54006100	100	200	-	-	250	200	21	14
70.10022	54006101	200	200	-	-	250	200	21	14
70.10024	54006103	300	200	-	-	250	200	21	14
70.10025	54006104	250	250	-	-	315	250	21	15
70.10026	54006105	375	250	-	-	315	250	21	15
70.10027	54006106	475	315	-	-	400	315	21	15
70.10029	54006108	400	400	-	-	500	400	25	20
70.10030	54006109	600	400	-	-	500	400	25	20
SHAFT FIXED ZELLPUFFER									
70.10085	54006164	40	80	M12	35	-	-	-	-
70.10086	54006165	80	80	M12	35	-	-	-	-
70.10087	54006166	120	80	M12	35	-	-	-	-
70.10065	54006144	100	100	M12	35	-	-	-	-
70.10068	54006147	150	100	M12	35	-	-	-	-
70.10069	54006148	63	125	M12	35	-	-	-	-
70.10070	54006149	125	125	M12	35	-	-	-	-
70.10072	54006151	190	125	M12	35	-	-	-	-
70.10073	54006152	80	160	M12	35	-	-	-	-
70.10074	54006153	160	160	M12	35	-	-	-	-
70.10075	54006154	240	160	M12	35	-	-	-	-
70.10076	54006155	100	200	M12	35	-	-	-	-
70.10077	54006156	200	200	M12	35	-	-	-	-
70.10078	54006157	300	200	M12	35	-	-	-	-
70.10080	54006159	125	250	M24	80	-	-	-	-
70.10081	54006160	250	250	M24	80	-	-	-	-
70.10082	54006161	375	250	M24	80	-	-	-	-
70.10083	54006162	315	315	M24	80	-	-	-	-