

# Bobbin – Type TA/KD/KPD

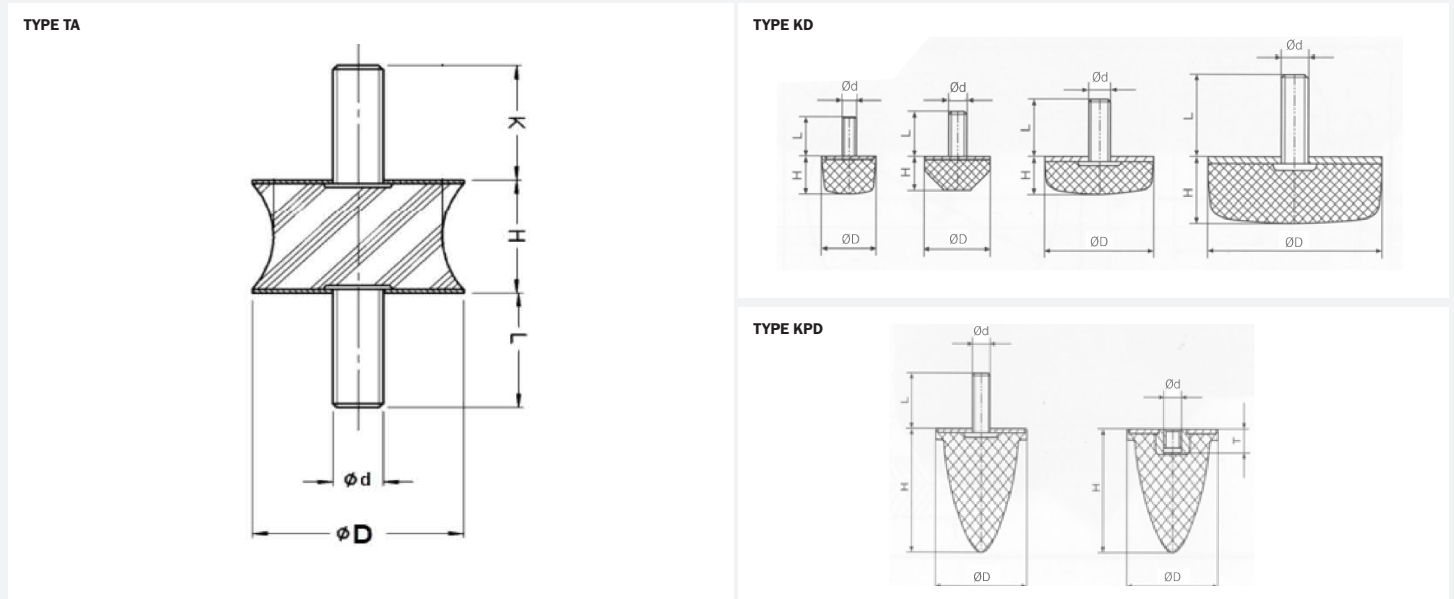
Bobbin mounts can be used in a wide variety of applications to permit relative movement of the suspended mass and isolation from the effects of noise, vibration and shock. The bobbin mounts are designed to have a higher compressive stiffness and a lower shear stiffness.

**Typical applications include:**

- Light fans
- Engines and pumps
- Compressors
- Measuring and test equipment



## TECHNICAL DRAWING



Figures stated are for natural rubber hardness 60° IRH. Other hardness are available upon request. The technical values are to be used for info only. If you have any questions, please contact TAVS. Other dimensions on special demand with minimum quantity and/or order value.

## PRODUCT DATA

TYPE	DRAWING NO.	PART NO.	DIMENSIONS (mm)					COMPRESSION		SHEAR		MAX. BOLT TORQUE (Nm)
			ØD	H	Ød	K	L	MAX. LOAD (kg)	MAX. DEFLECTION (mm)	MAX. LOAD (kg)	MAX. DEFLECTION (mm)	
<b>TYPE TA</b>												
TA 25/20	19-0581	20-01610	25	20	M6	12	18	31	1	12	2	8
TA 40/30	19-0699	20-01647	41	30	M8	20	20	45	1.7	17	3.9	20

# Bobbin – TA/KD/KPD

## PRODUCT DATA

DRAWING NO.	PART NO.	TYPE	DIMENSIONS (mm)				COMPRESSION		MAX. BOLT TORQUE (Nm)
			ØD	H	Ød	L	MAX. LOAD (kg)	MAX. DEFLECTION (mm)	
<b>TYPE KD</b>									
15-4069	10-00087	KD 25/12	25	12	M6	16	31	0.8	8.3
15-3452	20-00013	KD 25/13	25	13	M6	16	30	0.8	8.3
19-0582	20-01611	KD 25/17	25	17	M6	18	29	2	8.3
19-0506	20-00595	KD 50/17	50	17	M10	28	155	2	40
19-0851	20-01469	KD 50/50	50	50	M8	23	107	5.1	20
<b>TYPE KPD</b>									
030 18 131	92544	KPD	26	18	22.5	M6	40	1.5	4.5
19-0604	20-00686	KPD 30/30	30	30	M8	20	35	6	20
19-0507	20-00929	KPD 30/36	30	36	M8	20	35	7	20
030 18 025	49009020	KPD	35	40	23	M8	9	4.4	9
030 18 025	90306	KPD	35	40	23	M8	22	3.6	9
030 18 025	91311	KPD	35	40	23	M8	32	3.9	9
030 18 061	90337	KPD	50	20	27.5	M10	190	3.0	18
14.10235	54001982	KPD	50	58	28	M10	400	35.7	35
030 18 158	90376	KPD	125	78	46	M16	1000	19.6	210