

Bobbin – Type D

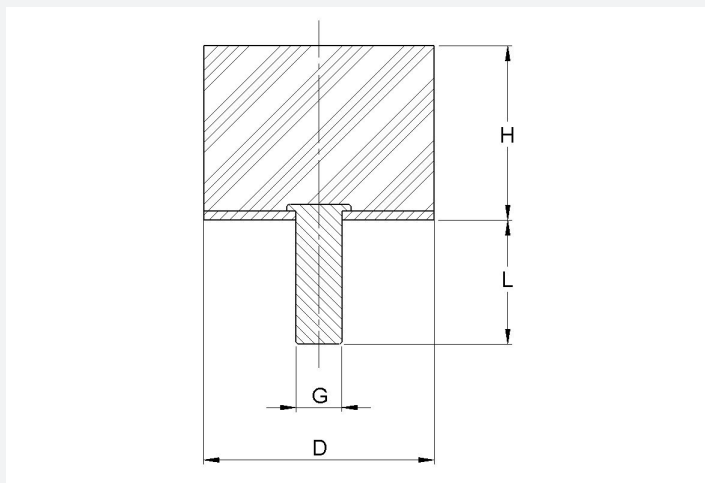
Bobbin mounts can be used in a wide variety of applications to permit relative movement of the suspended mass and isolation from the effects of noise, vibration and shock. The bobbin mounts are designed to have a higher compressive stiffness and a lower shear stiffness.

Typical applications include:

- Light fans
- Engines and pumps
- Compressors
- Measuring and test equipment



TECHNICAL DRAWING



Figures stated are for natural rubber hardness 60° IRH. Other hardness are available upon request. The technical values are to be used for info only. If you have any questions, please contact TAVS. Other dimensions on special demand with minimum quantity and/or order value.

PRODUCT DATA

TYPE	DRAWING NO.	PART NO.	DIMENSIONS (mm)				COMPRESSION		MAX. BOLT TORQUE (Nm)
			ØD	H	Ød	L	MAX. LOAD (kg)	MAX. DEFLECTION (mm)	
TYPE D									
D13/10	D 1310	509157	13	10	M5	10	4.6	0.7	2.7
D13/13.5	D 1313	509158	13	13.5	M5	10	4.1	1.0	2.7
D13/15	D 1315	509159	13	15	M5	10	4.1	1.1	2.7
D13/20	D 1320	509160	13	20	M5	10	3.7	1.5	2.7
D15/10	D 1510	54001836	15	10	M4	10	8.7	0.8	1.3
D15/15	D 1515	54001846	15	15	M4	10	7	1.3	1.3
D16/10	D 1610	509161	16	10	M5	12	7.9	0.7	2.7
D16/15	D 1615	509164	16	15	M5	12	6.5	1.1	2.7
D16/20	D 1620	509165	16	20	M5	12	5.9	1.4	2.7
D16/25	D 1625	509166	16	25	M5	12	5.9	1.9	2.7
D20/8.5	D 208,5	509167	20	8.5	M6	16.5	17.2	0.5	4.7
D20/15	D 2015	509168	20	15	M6	16.5	11.2	1.0	4.7
D20/20	D 2020	509169	20	20	M6	16.5	9.9	1.4	4.7
D20/25	D 2025	509170	20	25	M6	16.5	9.2	1.8	4.7
D20/30	D 2030	509171	20	30	M6	16.5	9.2	2.3	4.7
D25/10	D 2510	509172	25	10	M8	20	27.3	0.6	11
D25/15	D 2515	509173	25	15	M8	20	19.5	1.0	11
D25/19	D 2519	509174	25	19	M8	20	17.1	1.3	11
D25/22	D 2522	509176	25	22	M8	20	16.1	1.6	11
D25/25	D 2525	509177	25	25	M8	20	16.1	1.9	11
D25/30	D 2530	509178	25	30	M8	20	14.5	2.2	11
D25/40	D 2540	509179	25	40	M8	20	13.6	3.0	11

Bobbin – Type D

PRODUCT DATA

TYPE	DRAWING NO.	PART NO.	DIMENSIONS (mm)				COMPRESSION		MAX. BOLT TORQUE (Nm)
			ØD	H	Ød	L	MAX. LOAD (kg)	MAX. DEFLECTION (mm)	
D30/15	D 3015	509180	30	15	M8	25	28.7	1.2	11
D30/22	D 3022	509181	30	22	M8	25	24.9	1.6	11
D30/30	D 3030	509182	30	30	M8	25	22	2.2	11
D30/40	D 3040	509183	30	40	M8	25	20.3	3.0	11
D40/20	D 4020	509184	40	20	M10	25	54.4	1.4	23
D40/25	D 4025	509185	40	25	M10	25	47.4	1.8	23
D40/35	D 4035	509186	40	35	M10	25	40.7	2.6	23
D40/40	D 4040	509187	40	40	M10	25	40.7	3.1	23
D40/45	D 4045	509188	40	45	M10	25	37.6	3.4	23
D50/20	D 5020	54001952	50	20	M10	28	124	1.8	23
D50/25	D 5025	509189	50	25	M10	25	85	1.8	23
D50/35	D 5035	509190	50	35	M10	25	70	2.6	23
D50/45	D 5045	509191	50	45	M10	25	63	2.9	23
D60/22	D 6022	509193	60	22	M10	25	155	1.5	23
D60/25	D 6025	509194	60	25	M10	25	139	1.8	23
D60/36	D 6036	509195	60	36	M10	25	108	2.6	23
D60/45	D 6045	509196	60	45	M10	25	97	3.3	23
D70/35	D 7035	509197	70	35	M10	25	165	2.5	23
D70/50	D 7050	509198	70	50	M10	25	135	3.7	23
D70/70	D 7070	509199	70	70	M10	25	135	3.7	23
D80/25	D 8025	509201	80	25	M14	35	320	1.7	62
D80/30	D 8030	509203	80	30	M14	35	267	2.1	62
D80/40	D 8040	509204	80	40	M14	35	214	2.9	62
D80/70	D 8070	509205	80	70	M14	35	162	5.3	62
D80/80	D 8080	509206	80	80	M14	35	162	6.3	62
TYPE D CONTURED									
D15/6	030 18 068	90496	15	6	M4	15	14	0.6	1.3
D15/13	030 18 029	91040	15	13	M4	15	6.5	1.3	1.3
D16/4	030 18 027	90308	16	4	M4	10	32	0.5	1.3
D20/12	030 18 055	90335	20	12	M6	10.5	17.5	1.1	4.7
D20/12	030 18 055	91589	20	12	M6	10.5	27	1.2	4.7
D20/16	030 18 031	97159	20	16	M6	18.5	12.5	2.0	4.7
D20/16	030 18 031	97155	20	16	M6	18.5	24	2.1	4.7
D20/16	030 18 031	97156	20	16	M6	18.5	27	2.0	4.7
D30/16	030 18 094	97196	30	16	M8	20	38	1.5	11
D30/16	030 18 095	97197	30	16	M8	13	38	1.5	11
D30/16	030 18 035	597193	30	16	M8	23	72	2.1	11
D30/18	030 18 133	97198	30	18	M8	23	31	1.9	11
D30/26	030 18 037	90317	30	26	M8	23	60	3.9	11
D40/26	030 18 039	91070	40	26	M10	27.5	100	3.0	23
D40/30	030 18 120	90358	40	30	M8	22.5	80	2.9	11
D40/30	030 18 023	90305	40	30	M10	27.5	120	3.9	23
D50/12	030 18 026	90307	50	12	M10	27.5	320	1.2	23
D50/36	030 18 041	90321	50	36	M10	27.5	170	4.0	23
D50/37.5	030 18 054	500068	50	37.5	M10	27.5	150	4.5	23
D70/55	030 18 043	90324	70	55	M12	37	280	7.4	39
D75/30	030 18 137	90362	75	30	M12	37	480	4.0	39
D75/20	030 18 045	597219	75	20	M12	37	510	2.0	39
D75/45	030 18 047	91616	75	45	M12	37	430	6.5	39
D160/65	030 18 165	91253	160	65	M16	46	1830	8.2	94.5