

Bobbin – Type B

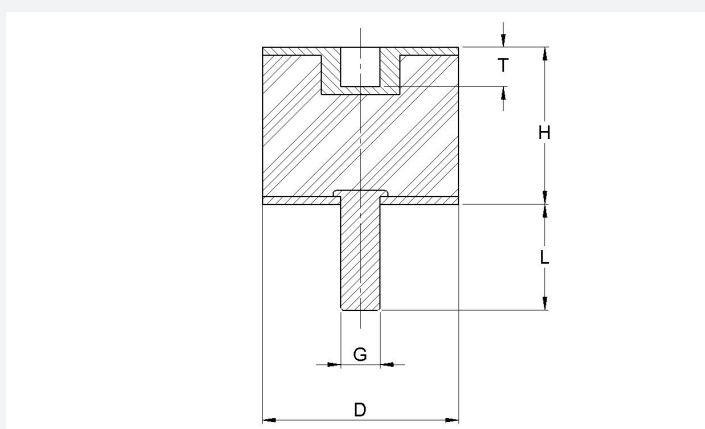
Bobbin mounts can be used in a wide variety of applications to permit relative movement of the suspended mass and isolation from the effects of noise, vibration and shock. The bobbin mounts are designed to have a higher compressive stiffness and a lower shear stiffness.

Typical applications include:

- Light fans
- Engines and pumps
- Compressors
- Measuring and test equipment



TECHNICAL DRAWING



Figures stated are for natural rubber hardness 60° IRH. Other hardness are available upon request. The technical values are to be used for info only. If you have any questions, please contact TAVS. Other dimensions on special demand with minimum quantity and/or order value.

PRODUCT DATA

TYPE	DRAWING NO.	PART NO.	DIMENSIONS (mm)					COMPRESSION		SHEAR		MAX. BOLT TORQUE (Nm)
			ØD	H	Ød	L	T	MAX. LOAD (kg)	MAX. DEFLECTION (mm)	MAX. LOAD (kg)	MAX. DEFLECTION (mm)	
TYPE B												
B10/10	19-0307	20-01449	10	10	M4	10	4	6	0.9	1	2.3	1.6
B10/15	B1015	54001136	10	15	M4	10	4	1.5	1.2	1.2	3.4	1.3
B10/15	B1015	54001137	10	15	M4	10	4	2.9	1.2	2.2	3.6	1.3
B15/15	19-0529	20-01698	15	15	M4	10	5	12	1.4	5	3.8	1.6
B15/15	B 1515	509078	15	15	M4	12	3	6.8	0.5	3.1	1.3	1.3
B16/10	B 1610	509079	16	10	M5	12	3	8	0.5	3.1	5.1	2.7
B16/15	B 1615	509080	16	15	M5	12	3	6.1	0.9	3.5	1.3	2.7
B16/20	B 1620	509081	16	20	M5	12	3	5.4	1.2	3.5	2.1	2.7
B16/25	B 1625	509082	16	25	M5	12	3	5.1	1.6	3.5	3.8	2.7
B20/15	B 2015	509083	20	15	M6	17	4	10.9	0.8	5.5	1.9	4.7
B20/15	19-0310	20-01264	20	15	M6	18	6	16	0.9	11	3.8	8.3
B20/20	B 2020	509085	20	20	M6	17	4	9.3	1.2	5.5	2.8	4.7
B20/20	19-0524	20-01265	20	20	M6	18	6	16	1.2	9	5	8.3
B20/25	B 2025	509086	20	25	M6	17	4	8.5	1.5	5.5	3.9	4.7
B20/25	19-0526	20-01266	20	25	M6	18	6	15	2.5	9	6.3	8.3
B20/30	B 2030	509087	20	30	M6	18	5	8.1	1.8	5.5	4.5	4.7

Bobbin – Type B

PRODUCT DATA

TYPE	DRAWING NO.	PART NO.	DIMENSIONS (mm)					COMPRESSION		SHEAR		MAX. BOLT TORQUE (Nm)
			ØD	H	Ød	L	T	MAX. LOAD (kg)	MAX. DEFLECTION (mm)	MAX. LOAD (kg)	MAX. DEFLECTION (mm)	
B25/15	19-0311	20-01267	25	15	M6	18	6	30	1.3	16	3.8	8.3
B25/20	B 2520	509091	25	20	M8	20	5	15.8	1.2	8.6	2.0	11
B25/20	19-0539	20-01268	25	20	M6	18	6	29	2.1	15	5	8.3
B25/22	B 2522	509094	25	22	M8	20	6	15.1	1.3	8.6	2.8	11
B25/25	B 2525	509095	25	25	M8	20	6	14.2	1.5	8.6	3.7	11
B25/25	19-0540	20-00573	25	25	M6	18	6	27	2.9	14	6.3	8.3
B25/30	B 2530	509096	25	30	M8	20	6	13.3	1.9	8.6	3.7	11
B25/30	19-0541	20-01016	25	30	M6	18	6	25	3.2	14	7.5	8.3
B25/40	B 2540	509097	25	40	M8	20	6	12.4	2.5	8.6	4.7	11
B30/15	B 3015	509098	30	15	M8	25	6	31.7	0.8	8.6	6.5	11
B30/15	19-0542	20-01269	30	15	M8	20	8	69	1.4	21	3.4	20
B30/20	B 3020	509099	30	20	M8	25	6	25	1.2	12.3	1.9	11
B30/20	19-0543	20-00898	30	20	M8	20	8	39	1.6	21	5	20
B30/22	B 3022	509100	30	22	M8	25	6	23.5	1.3	12.3	2.9	11
B30/25	19-0546	20-00464	30	25	M8	20	8	38	2.3	20	6.3	20
B30/30	B 3030	509101	30	30	M8	25	6	20.3	1.9	12.3	3.2	11
B30/30	19-0547	20-00575	30	30	M8	20	8	36	2.8	19	7.5	20
B30/40	B 3040	509102	30	40	M8	25	6	18.5	2.6	12.3	4.6	11
B40/20	B 4020	509103	40	20	M10	25	8	53	1.2	21.9	4.2	23
B40/28	B 4028	509104	40	28	M10	25	8	41.8	1.7	21.9	4.6	23
B40/30	B 4030	509105	40	30	M10	25	8	40.3	1.9	21.9	5.5	23
B40/30	19-0554	20-00466	40	30	M8	20	8	61	2.4	35	7.5	20
B40/35	B 4035	509106	40	35	M10	25	8	37.5	2.2	21.9	6.3	23
B40/40	B 4040	509107	40	40	M10	25	8	35.6	2.5	21.9	2.8	23
B40/40	19-0555	20-00821	40	40	M8	23	8	61	3.8	34	10	20
B40/45	B 4045	509108	40	45	M10	25	8	34.2	2.9	21.9	6.3	23
B50/20	B 5020	509109	50	20	M10	25	8	103.8	1.1	21.9	7.2	23
B50/20	19-0556	20-01273	50	20	M10	28	10	133	1	46	4	40
B50/30	B 5030	509110	50	30	M10	25	8	71.8	1.8	34.2	3.5	23
B50/30	19-0557	20-00577	50	30	M10	28	10	122	2.6	51	7	40
B50/35	B 5035	509111	50	35	M10	25	8	65.3	2.2	34.2	4.4	23
B50/40	B 5040	509112	50	40	M10	25	8	61	2.5	34.2	5.3	23
B50/40	19-0558	20-00578	50	40	M10	28	10	112	3.6	32	10	40
B50/45	B 5045	509113	50	45	M10	25	8	56.3	2.7	34.2	6.2	23
B50/50	B 5050	509114	50	50	M10	25	8	55.6	3.1	34.2	7.0	23
B50/50	19-0561	20-01276	50	50	M10	28	10	107	5.1	51	12.5	40
B60/36	B 6036	509115	60	36	M10	25	8	101.6	2.2	49.2	3.5	23
B60/45	B 6045	509116	60	45	M10	25	8	89.6	2.8	49.2	5.5	23
B70/35	B 7035	509117	70	35	M10	25	9	158.3	2.1	42.9	7.0	23
B70/50	B 7050	509207	70	50	M10	25	9	125.2	3.1	67.1	5.1	23
B70/70	B 7070	509208	70	70	M10	25	9	125.2	3.1	67.1	7.7	23
B75/40	B 7540	509209	75	40	M12	35	8	171.4	2.5	77	3.3	39
B75/45	B 7545	509210	75	45	M12	35	8	158.1	2.7	77	6.9	39
B75/50	B 7550	509211	75	50	M12	35	8	148.5	3.1	77	6.0	39
B75/50	19-0536	20-01283	75	50	M12	37	12	265	4.3	121	12.5	70
B75/55	19-0537	20-00824	75	55	M12	37	12	245	4.7	119	13.8	70
B80/40	B 8040	509212	80	40	M14	35	12	203.3	3.4	87.6	4.2	62
B80/70	B 8070	509213	80	70	M14	35	12	162	5.3	97.3	13.1	62
B80/80	B 8080	509214	80	80	M14	35	12	164.7	6.1	97.3	14.5	62
B100/40	B 10040	509215	100	40	M16	45	16	357.5	2.6	136.9	6.0	94.5
B100/40	19-0322	20-00581	100	40	M16	41	16	663	3.2	236	10	170
B100/55	B 10055	509216	100	55	M16	45	16	323.1	3.8	152.1	9.6	94.5
B100/55	19-0535	20-01285	100	55	M16	41	16	520	5	222	13.8	170
B100/60	19-0849	20-01286	100	60	M16	41	16	510	5.6	217	15	170

Bobbin – Type B

PRODUCT DATA

TYPE	DRAWING NO.	PART NO.	DIMENSIONS (mm)					COMPRESSION		SHEAR		MAX. BOLT TORQUE (Nm)
			ØD	H	Ød	L	T	MAX. LOAD (kg)	MAX. DEFLECTION (mm)	MAX. LOAD (kg)	MAX. DEFLECTION (mm)	
B100/80	B 10080	509217	100	80	M16	45	16	264.9	5.8	152.1	14.5	94.5
B100/100	B 100100	509218	100	100	M16	45	16	244	7.4	152	18.4	94.5
TYPE B CONTOURED												
B10/9	052 18 251	91158	10	9	M4	6	3.5	1.8	0.9	1.4	2.7	1.3
B10/9	052 18 251	90786	10	9	M4	6	3.5	5	0.7	4	3.9	1.3
B15/15	052 18 059	90614	15	15	M4	15	4	7.5	1.5	3.6	3.9	1.3
B15/15	052 18 059	90615	15	15	M4	15	4	15	1.5	6.5	4.0	1.3
B20/20	052 18 137	97170	20	20	M6	10.5	6.5	8	2.0	6.5	6.4	4.7
B20/20	052 18 137	97169	20	20	M6	10.5	6.5	16	1.7	14	6.9	4.7
B20/20	052 18 062	97166.0	20.0	20.0	M6	18.5	5.8	17.0	2.1	9.0	8.8	4.7
B20/20	052 18 137	97171	20	20	M6	10.5	6.5	22	2.0	19.3	6.3	4.7
B20/20	052 18 137	97167	20	20	M6	18.5	5.8	32	2.1	17	8.3	4.7
B20/20	052 18 015	97172	20	20	M6	10.5	6.5	36	2.0	32	6.3	4.7
B20/25	052 18 076	91865	20	25	M6	18.5	5.8	7.5	2.5	6.5	6.4	4.7
B20/25	052 18 096	91519	20	25	M6	18.5	5.8	16	2.2	14	13.7	4.7
B25/20	052 18 150	91514	25	20	M6	10	5.8	14	2.0	11	5.4	4.7
B25/20	052 18 087	91192	25	20	M6	15	5.8	14	2.0	11	5.4	4.7
B25/20	052 18 087	90647	25	20	M6	15	5.8	24	1.8	22	10.8	4.7
B25/30	052 18 096	91839	25	30	M6	18.5	5.8	20	3.9	10	12.3	4.7
B25/30	052 18 063	91163	25	30	M6	18.5	5.8	48	3.6	24	11.8	4.7
B25/35	052 18 071	91617	25	35	M6	18.5	5.8	22	3.1	22	21.6	4.7
B30/20	052 18 195	97210	30	20	M8	13	7.4	40	1.6	30	7.4	11
B30/20	052 18 195	97211	30	20	M8	13	7.4	55	1.6	45	7.4	11
B30/20	052 18 137	597205	30	20	M8	23	7.4	70	2.0	24	5.9	11
B30/20	052 18 197	97212	30	20	M8	13	7.4	75	1.6	90	8.0	11
B30/20	052 18 195	97206	30	20	M8	23	7.4	124	1.9	50	6.1	11
B30/30	052 18 068	91441	30	30	M8	23	7.4	30	3.3	16	15.7	11
B30/30	052 18 068	90632	30	30	M8	23	7.4	70	3.3	38	12.4	11
B40/30	052 18 124	91000	40	30	M8	22.5	7.9	28	3.1	30	9.8	11
B40/30	052 18 071	91107	40	30	M10	27.5	10	55	3.0	28	9.2	23
B40/30	052 18 124	90671	40	30	M8	22.5	7.9	70	3.0	60	11.8	11
B40/30	052 18 114	92476	40	30	M8	22.5	7.9	120	2.9	90	11.0	11
B40/30	052 18 071	90635	40	30	M10	27.5	10	130	3.0	67	9.4	23
B40/30	052 18 158	91654	40	30	M10	27.5	10	180	2.9	98	9.6	23
B40/40	052 18 015	92089	40	40	M8	22.5	7.9	35	4.3	28	13.7	11
B40/40	052 18 152	91561	40	40	M8	22.5	7.9	65	4.0	60	14.7	11
B45/50	052 18 187	91079	45	50	M8	22.5	7.9	30	4.9	30	14.7	11
B45/50	052 18 187	90758	45	50	M8	22.5	7.9	80	5.2	70	17.2	11
B50/30	052 18 090	91468	50	30	M10	17.5	10	50	2.6	35	11.4	23
B50/30	052 18 090	91254	50	30	M10	17.5	10	130	2.7	90	11.0	23
B50/30	052 18 090	91321	50	30	M10	17.5	10	180	2.6	120	10.7	23
B50/30	052 18 046	90601	50	30	M10	27.5	10	190	3.0	100	9.8	23
B50/40	052 18 073	91312	50	40	M10	27.5	10	186	4.6	102	14.3	23
B50/50	052 18 101	92075	50	50	M10	27.5	10	50	5.5	45	22.1	23
B50/50	052 18 111	90844	50	50	M10	27.5	10	100	4.5	90	17.7	23
B60/45	052 18 158	92502	60	45	M10	19.5	10.5	90	4.6	65	15.9	23
B60/45	052 18 274	91476	60	45	M10	19	10	160	4.4	130	18.2	23
B70/45	052 18 126	91607	70	45	M10	27.5	10.5	140	4.7	90	17.7	23
B70/45	052 18 200	90768	70	45	M10	27.5	10.5	240	4.4	180	17.7	23
B70/60	052 18 156	92004	70	60	M12	37	10.5	145	7.5	80	26.2	39
B70/60	052 18 076	90639	70	60	M12	37	10.5	275	7.3	145	23.7	39
B75/40	052 18 197	97227	75	40	M12	37	10.5	180	4.0	100	14.0	39
B75/40	052 18 197	97226	75	40	M12	37	10.5	300	3.6	210	15.8	39
B75/40	052 18 101	97228	75	40	M12	37	10.5	500	3.9	320	14.9	39

Bobbin – Type B

PRODUCT DATA

TYPE	DRAWING NO.	PART NO.	DIMENSIONS (mm)					COMPRESSION		SHEAR		MAX. BOLT TORQUE (Nm)
			ØD	H	Ød	L	T	MAX. LOAD (kg)	MAX. DEFLECTION (mm)	MAX. LOAD (kg)	MAX. DEFLECTION (mm)	
B75/50	052 18 081	91575	75	50	M12	37	10.5	210	5.9	115	18.8	39
B75/50	052 18 081	90642	75	50	M12	37	10.5	420	5.9	120	19.6	39
B75/55	052 18 124	92459	75	55	M12	37	10.5	240	5.2	210	20.6	39
B75/55	052 18 211	90899	75	55	M12	37	10.5	400	5.6	320	20.9	39
B75/70	052 18 274	92491	75	70	M12	37	10.5	140	7.6	100	24.5	39
B75/70	052 18 114	90666	75	70	M12	37	10.5	200	6.3	210	25.8	39
B100/40	052 18 065	597187	100	40	M16	36	15.8	400	3.4	200	14.0	94.5
B100/40	052 18 156	97182	100	40	M16	46	15.8	450	3.4	190	11.6	94.5
B100/40	052 18 065	97186	100	40	M16	36	15.8	700	3.4	380	13.8	94.5
B100/40	052 18 015	97181	100	40	M16	46	15.8	1010	3.4	450	11.6	94.5
B100/40	052 18 062	92744	100	40	M16	36	15.8	1200	3.4	600	13.7	94.5
B100/40	052 18 111	92046	100	40	M16	36	15.8	1680	3.4	660	13.8	94.5
B100/40	052 18 084	92152	100	40	M16	46	15.8	1750	3.4	720	11.8	94.5
B100/55	052 18 156	500635	100	55	M16	46	15.8	250	5.3	180	19.6	94.5
B100/55	052 18 101	90658	100	55	M16	46	15.8	500	5.3	330	19.0	94.5
B100/55	052 18 152	92087	100	55	M16	46	15.8	800	5.3	530	18.6	94.5
B100/55	052 18 101	91108	100	55	M16	46	15.8	1200	5.3	800	18.7	94.5
B100/75	052 18 158	92274	100	75	M16	46	15.8	420	7.4	380	31.1	94.5
B160/75	052 18 156	92530	160	75	M16	46	15.8	900	7.8	500	28.9	94.5
B160/75	052 18 158	90693	160	75	M16	46	15.8	1500	7.8	1000	29.7	94.5
B160/75	052 18 211	92458	160	75	M16	46	15.8	2100	7.8	1380	29.4	94.5
B160/75	052 18 063	91795	160	75	M16	46	15.8	4000	7.8	2400	29.4	94.5
B160/114	052 18 179	90752	160	114	M16	44	15.8	8000	8.8	800	35.7	94.5