

Bobbin – Type A

Bobbin mounts can be used in a wide variety of applications to permit relative movement of the suspended mass and isolation from the effects of noise, vibration and shock. The bobbin mounts are designed to have a higher compressive stiffness and a lower shear stiffness.

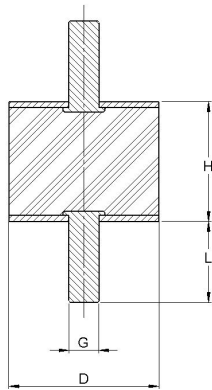
Typical applications include:

- Light fans
- Engines and pumps
- Compressors
- Measuring and test equipment

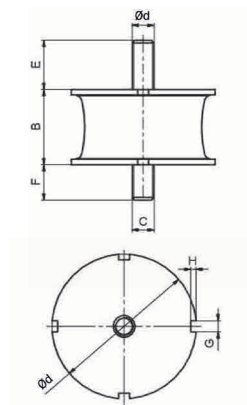


TECHNICAL DRAWING

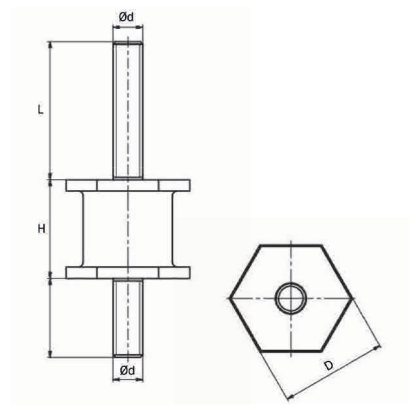
TYPE A



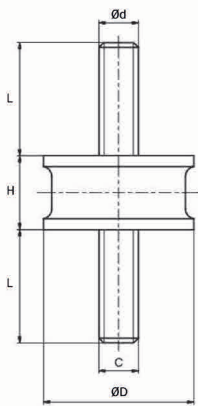
TYPE A NOTCHED



TYPE A HEXAGONAL PLATE



CONTOURED



Figures stated are for natural rubber hardness 60° IRH. Other hardness are available upon request. The technical values are to be used for info only. If you have any questions, please contact TAVS. Other dimensions on special demand with minimum quantity and/or order value.

Bobbin – Type A

PRODUCT DATA

TYPE	DRAWING NO.	PART NO.	DIMENSIONS (mm)				COMPRESSION		SHEAR		MAX. BOLT TORQUE (Nm)
			Ød	H	Ød	L	MAX. LOAD (kg)	MAX. DEFLECTION (mm)	MAX. LOAD (kg)	MAX. DEFLECTION (mm)	
TYPE A											
A10/10	19-0272	20-01435	10	10	M4	10	4	0.9	2	2	1.6
A10/15	19-0400	20-01066	10	15	M4	10	4.1	1.2	1.5	3.1	1.6
A13/10	A 1310	509003	13	10	M5	10	4.8	0.8	2.6	1.6	2.7
A13/15	A 1315	509007	13	15	M5	10	4	1.0	2.6	2.6	2.7
A13/20	A 1320	509015	13	20	M5	10	4	1.0	2.6	2.6	2.7
A15/8	A 1508	509018	15	8	M4	12	9.5	0.4	3.4	1.0	1.3
A15/10	A 1510	509019	15	10	M4	12	7.5	0.6	3.4	1.4	1.3
A15/15	19-0769	20-01068	15	15	M4	10	10	1.5	4	3.2	1.6
A15/15	A 1515	509020	15	15	M4	12	5.8	1.0	3.4	2.4	1.3
A15/20	A 1520	509022	15	20	M4	12	5.2	1.4	3.4	3.3	1.3
A15/30	A 1530	509048	15	30	M4	12	4.8	2.1	3.4	5.3	1.3
A16/10	A 1610	509049	16	10	M5	12	8.9	0.6	3.9	1.4	2.7
A16/15	A 1615	509050	16	15	M5	12	6.7	1.0	3.9	2.4	2.7
A16/20	A 1620	509051	16	20	M5	12	6	1.4	3.9	3.3	2.7
A16/25	A 1625	509052	16	25	M5	12	6	1.8	3.9	4.3	2.7
A20/8.5	A 208,5	509053	20	8.5	M6	17	22	0.4	6.1	1.0	4.7
A20/10	19-0296	20-00418	20	10	M6	15/18	17	0.5	7	1.4	8.3
A20/15	A 2015	509056	20	15	M6	17	12.1	0.9	6.1	2.1	4.7
A20/15	19-0383	20-01226	20	15	M6	18	16	1.2	7	2.6	8.3
A20/20	19-0384	20-00541	20	20	M6	15/18	16	1.7	7	4.5	8.3
A20/20	A 2020	509063	20	20	M6	17	10.3	1.3	6.1	3.1	4.7
A20/25	A 2025	509064	20	25	M6	17	9.5	1.7	6.1	4.1	4.7
A20/25	19-0387	20-01228	20	25	M6	15/18	15	2.1	6	6.2	8.3
A20/30	A 2030	509065	20	30	M6	17	9.5	2.2	6.1	5.0	4.7
A25/10	19-0297	20-00557	25	10	M6	18	31	0.8	12	1.5	8.3
A25/10	A 2510	509067	25	10	M8	20	18.4	0.3	6.1	0.8	11
A25/15	19-0415	20-00558	25	15	M6	18	30	1.5	11	2.5	8.3
A25/15	A 2515	509069	25	15	M6	18	21.6	0.9	9.5	2.2	4.7
A25/15	A 2515	509070	25	15	M8	20	21.6	0.9	9.5	2.2	11
A25/20	A 2520	509071	25	20	M6	18	17.6	1.3	9.5	3.1	4.7
A25/20	19-0416	20-00559	25	20	M6	18	29	2.6	11	3.8	8.3
A25/22	A 2522	509072	25	22	M8	20	17.6	1.5	9.5	3.6	11
A25/25	19-0419	20-01437	25	25	M6	18	27	2.7	11	5.4	8.3
A25/25	A 2525	509073	25	25	M6	18	15.8	1.7	9.5	4.1	4.7
A25/25	A 2525	509074	25	25	M8	20	15.8	1.7	9.5	4.1	11
A25/30	19-0421	20-01629	25	30	M6	18	25	3.4	9	6.7	8.3
A25/30	A 2530	509075	25	30	M8	20	14.8	2.1	9.5	5.2	11
A25/40	A 2540	509077	25	40	M8	20	13.7	2.9	9.5	7.2	11
A30/15	19-0267	20-01536	30	15	M8	20	51	0.9	17	2.6	20
A30/15	A 3015	509119	30	15	M8	25	35.3	0.9	13.7	2.2	11
A30/20	19-0388	20-01438	30	20	M8	20	45	1.7	17	3.9	20
A30/20	A 3020	509120	30	20	M8	25	27.7	1.3	13.7	3.1	11
A30/22	A 3022	509121	30	22	M8	25	27.7	1.5	13.7	3.5	11
A30/25	19-0389	20-01440	30	25	M8	20	41	2.1	16	5.3	20
A30/30	19-0392	20-01441	30	30	M8	20	39	2.9	15	6.6	20
A30/30	A 3030	509122	30	30	M8	25	22.5	2.1	13.7	5.2	11
A30/40	19-0393	20-00438	30	40	M8	20	31	4	10	10	20
A30/40	A 3040	509123	30	40	M8	25	20.6	2.8	13.7	7.1	11
A40/20	19-0268	20-01423	40	20	M8	23	92	1.5	31	3.8	20
A40/20	A 4020	509124	40	20	M10	25	58.8	1.3	24.3	3.1	23
A40/28	A 4028	509125	40	28	M10	25	46.4	1.9	24.3	4.7	23
A40/30	19-0395	20-01443	40	30	M8	23	71	2.4	31	6.6	20
A40/30	A 4030	509126	40	30	M8	23	46.4	2.2	24.3	5.1	11

Bobbin – Type A

PRODUCT DATA

TYPE	DRAWING NO.	PART NO.	DIMENSIONS (mm)				COMPRESSION		SHEAR		MAX. BOLT TORQUE (Nm)
			Ød	H	Ød	L	MAX. LOAD (kg)	MAX. DEFLECTION (mm)	MAX. LOAD (kg)	MAX. DEFLECTION (mm)	
A40/35	A 4035	509127	40	35	M10	25	41.7	2.4	24.3	6.1	23
A40/40	19-0397	20-00563	40	40	M8	23	66	3.5	27	9	20
A40/40	A 4040	509128	40	40	M8	23	41.7	2.9	24.3	7.0	11
A40/40	A 4040	509129	40	40	M10	25	41.7	2.9	24.3	7.0	23
A40/45	A 4045	509130	40	45	M10	25	38.1	3.3	24.3	7.9	23
A50/20	A 5020	509131	50	20	M10	25	115.3	1.2	38	2.9	23
A50/20	19-0270	20-01444	50	20	M10	28	204	2.1	51	3.6	40
A50/25	A 5025	509132	50	25	M10	25	91.9	1.6	38	3.9	23
A50/25	19-0401	20-00564	50	25	M10	28	143	2.5	51	4.6	40
A50/30	A 5030	509133	50	30	M10	25	79.8	2.0	38	4.9	23
A50/30	19-0402	20-01445	50	30	M10	28	143	3.2	51	6.4	40
A50/35	A 5035	509134	50	35	M10	25	72.5	2.4	38	5.9	23
A50/40	A 5040	509135	50	40	M10	25	67.7	2.7	38	6.9	23
A50/40	19-0404	20-01446	50	40	M10	28	112	3.8	46	8.5	40
A50/45	A 5045	509136	50	45	M10	25	67.7	3.3	38	7.8	23
A50/45	19-0405	20-00882	50	45	M10	28	107	4.1	46	10.1	40
A50/50	A 5050	509137	50	50	M10	25	61.8	3.5	38	8.9	23
A50/50	19-0407	20-00549	50	50	M10	28	107	4.8	43	11.7	40
A60/25	A 6025	509138	60	25	M10	25	151.9	1.6	54.7	3.9	23
A60/36	A 6036	509139	60	36	M10	25	112.9	2.5	54.7	6.1	23
A60/45	A 6045	509140	60	45	M10	25	99.6	3.1	54.7	7.9	23
A70/35	A 7035	509141	70	35	M10	25	175.9	2.3	74.5	5.7	23
A70/45	19-0512	20-01253	70	45	M10	28	235	4.2	92	9.9	40
A75/40	19-0306	20-00547	75	40	M12	37	296	3.6	102	4.9	70
A70/50	A 7050	509142	70	50	M10	25	139.1	3.4	74.5	8.6	23
A70/70	A 7070	509144	70	70	M10	25	120.5	5.0	74.5	12.6	23
A75/25	A 7525	509145	75	25	M12	35	303.9	1.5	85.5	3.7	39
A75/40	A 7540	509146	75	40	M12	35	190.5	2.6	85.5	6.7	39
A75/50	A 7550	509147	75	50	M12	35	159.1	3.3	85.5	8.6	39
A75/55	A 7555	509148	75	55	M12	35	159.1	3.9	85.5	9.6	39
A80/30	A 8030	509149	80	30	M14	35	295.2	1.9	97.3	4.7	62
A80/40	A 8040	509150	80	40	M14	35	225.9	2.6	97.3	6.7	62
A80/70	A 8070	509151	80	70	M14	35	164.7	5.0	97.3	1.3	62
A80/80	A 8080	509153	80	80	M14	35	164.7	6.1	97.3	14.5	62
A100/40	19-0273	20-01259	100	40	M16	41	673	3.9	204	8.2	170
A100/40	A 10040	509154	100	40	M16	47	415.3	2.6	152.1	6.7	94.5
A100/55	19-0412	20-00568	100	55	M16	41	520	6.1	204	12.4	170
A100/55	A 10055	509155	100	55	M16	47	323.1	3.8	152.1	9.6	94.5
A100/80	A 10080	509156	100	80	M16	47	246.9	5.4	152.1	14.5	94.5
TYPE A CONTOURED											
A10/9	052 18 242	91015	10	9	M4	6	1.8	0.9	1.4	2.7	1.3
A10/9	052 18 242	90505	10	9	M4	6	5	0.7	4	3.9	1.3
A15/8	052 18 129	90872	15	8	M4	6	4.5	0.7	3	2.9	1.3
A15/8	052 18 129	91007	15	8	M4	6	10	0.6	8	2.6	1.3
A15/15	052 18 058	91019	15	15	M4	15	5.1	1.7	2.4	2.4	1.3
A15/15	052 18 058	91008	15	15	M4	15	12	1.5	5	4.9	1.3
A16/6	052 18 057	91014	16	6	M4	10	10	0.4	4	2.0	1.3
A16/6	052 18 057	91695	16	6	M4	10	15	0.5	10	2.0	1.3
A20/15	052 18 039	91397	20	15	M6	15	11	1.3	4.5	4.4	4.7
A20/15	052 18 039	90589	20	15	M6	15	25	1.3	11.5	3.8	4.7
A20/20	052 18 149	97176	20	20	M6	10	8	2.0	6.5	6.4	4.7
A20/20	052 18 149	97175	20	20	M6	10	16	1.7	14	6.9	4.7
A20/20	052 18 061	97165	20	20	M6	18.5	10	1.6	5	4.9	4.7
A20/20	052 18 061	97164	20	20	M6	18.5	19.5	1.7	10	4.9	4.7

Bobbin – Type A

PRODUCT DATA

TYPE	DRAWING NO.	PART NO.	DIMENSIONS (mm)				COMPRESSION		SHEAR		MAX. BOLT TORQUE (Nm)
			Ød	H	Ød	L	MAX. LOAD (kg)	MAX. DEFLECTION (mm)	MAX. LOAD (kg)	MAX. DEFLECTION (mm)	
A20/25	052 18 095	91064	20	25	M6	18.5	16	2.2	14	13.7	4.7
A25/20	052 18 132	90678	25	20	M6	10	14	2.0	11	5.4	4.7
A25/20	052 18 132	470951	25	20	M6	10	24	1.8	22	10.8	4.7
A25/20	052 18 132	90679	25	20	M6	10	24	1.8	22	10.8	4.7
A25/20	052 18 086	91055	25	20	M6	15	14	2.0	11	5.4	4.7
A25/20	052 18 086	90646	25	20	M6	15	24	1.8	22	10.8	4.7
A25/30	052 18 050	54001266	25.0	30.0	M6	18.5	9.6	2.5	7.5	8.2	4.7
A25/30	052 18 050	90605	25	30	M6	18.5	30	2.9	13.5	13.2	4.7
A25/35	052 18 125	92267	25	35	M6	18.5	11	3.6	11	10.8	4.7
A25/35	052 18 125	90936	25	35	M6	18.5	22	3.1	22	21.6	4.7
A30/15	052 18 151	92149	30	15	M8	23	27	1.3	15	4.9	11
A30/15	052 18 151	480188	30	15	M8	23	64	1.1	44	4.3	11
A30/18	052 18 151	90985	30	18	M8	23	50	1.1	30	5.9	11
A30/20	052 18 099	97208	30	20	M8	12	22	1.8	15	7.4	11
A30/20	052 18 099	97209	30	20	M8	12	40	1.6	30	7.4	11
A30/20	052 18 051	97202	30	20	M8	23	24	1.8	16	7.8	11
A30/20	052 18 051	97201	30	20	M8	23	60	1.8	40	7.8	11
A30/25	052 18 095	91393	30	25	M6	18.5	7.5	2.5	6.5	6.4	4.7
A30/25	052 18 163	91608	30	25	M8	23	20	2.5	15	7.4	11
A30/25	052 18 163	91149	30	25	M8	23	38	2.3	30	9.8	11
A30/30	052 18 067	91386	30	30	M8	23	25	3.1	9.5	9.3	11
A30/30	052 18 067	91061	30	30	M8	23	53	3.1	22.5	7.4	11
A40/30	052 18 123	90999	40	30	M8	22.5	40	3.0	28	9.2	11
A40/30	052 18 123	91091	40	30	M8	22.5	92	2.9	55	12.0	11
A40/30	052 18 123	90973	40	30	M8	22.5	134	3.1	100	11.5	11
A40/30	052 18 018	90574	40	30	M10	17.5	92	2.9	55	12.0	23
A40/30	052 18 070	91234	40	30	M10	27.5	47	2.9	21	10.3	23
A40/30	052 18 070	90634	40	30	M10	27.5	92	2.9	55	12.0	23
A40/30	052 18 070	91116	40	30	M10	27.5	109	3.0	72.5	11.9	23
A40/40	052 18 153	90918	40	40	M8	22.5	35	4.3	28	13.7	11
A40/40	052 18 153	90691	40	40	M8	22.5	65	4.0	60	14.7	11
A40/40	052 18 168	93006	40	40	M8	27.5	30	3.7	30	14.7	11
A40/40	052 18 168	90744	40	40	M8	27.5	65	4.0	60	14.7	11
A40/40	052 18 116	90668	40	40	M10	27.5	65	4.0	60	14.7	23
A50/30	052 18 089	90108	50	30	M10	17.5	70	2.9	45	9.8	23
A50/30	052 18 089	90649	50	30	M10	17.5	130	2.7	90	11.0	23
A50/30	052 18 040	92162	50	30	M10	27.5	85	3.0	42.5	10.4	23
A50/30	052 18 040	91279	50	30	M10	27.5	194	2.9	94	10.2	23
A50/30	052 18 040	90451	50	30	M10	27.5	198	2.9	130	9.8	23
A50/40	052 18 104	91145	50	40	M10	17.5	110	3.9	90	14.7	23
A50/40	052 18 072	90915	50	40	M10	27.5	80	3.9	45	14.7	23
A50/40	052 18 072	90636	50	40	M10	27.5	140	3.9	72	14.1	23
A50/45	052 18 174	461948	50	45	M10	27.5	140	4.2	120	16.8	23
A50/45	052 18 174	90924	50	45	M10	27.5	100	4.1	90	17.7	23
A50/45	052 18 174	90747	50	45	M10	27.5	55	0.5	45	14.7	23
A50/50	052 18 110	92076	50	50	M10	27.5	50	5.5	45	22.1	23
A50/50	052 18 110	90662	50	50	M10	27.5	100	4.5	90	17.7	23
A50/50	052 18 232	90734	50	20	M10	27.5	180	1.7	90	6.8	23
A60/45	052 18 273	91784	60	45	M10	19.5	160	4.4	130	18.2	23
A70/45	052 18 206	90396	70	45	M10	27.5	140	4.7	90	16.7	23
A70/45	052 18 206	90771	70	45	M10	27.5	240	4.4	180	17.7	23
A70/60	052 18 075	90322	70	60	M12	37	60	7.8	20	19.6	39
A70/60	052 18 075	91036	70	60	M12	37	320	7.8	120	19.6	39
A75/25	052 18 078	91257	75	25	M12	37	107	0.3	230	6.8	39

Bobbin – Type A

PRODUCT DATA

TYPE	DRAWING NO.	PART NO.	DIMENSIONS (mm)				COMPRESSION		SHEAR		MAX. BOLT TORQUE (Nm)
			Ød	H	Ød	L	MAX. LOAD (kg)	MAX. DEFLECTION (mm)	MAX. LOAD (kg)	MAX. DEFLECTION (mm)	
A75/25	052 18 078	91185	75	25	M12	37	475	3.0	98	6.9	39
A75/25	052 18 078	49014357	75	25	M12	37	1063	3.0	280	6.9	39
A75/40	052 18 196	97223	75	40	M12	37	167	3.6	130	15.9	39
A75/40	052 18 272	97237	75	40	M12	25	180	4.0	100	14.0	39
A75/40	052 18 196	97224	75	40	M12	37	300	3.6	210	15.8	39
A75/50	052 18 052	91065	75	50	M12	37	360	4.9	195	17.4	39
A75/55	052 18 210	90452	75	55	M12	37	150	5.9	100	19.6	39
A75/55	052 18 210	91077	75	55	M12	37	240	5.2	210	20.6	39
A75/70	052 18 113	91683	75	70	M12	37	140	7.6	100	24.5	39
A75/70	052 18 113	90665	75	70	M12	37	200	6.3	210	25.8	39
A75/70	052 18 113	92303	75	70	M12	37	600	7.1	500	28.9	39
A100/40	052 18 131	97185	100	40	M16	36	400	3.7	200	14.0	94.5
A100/40	052 18 016	97184	100	40	M16	46	500	3.9	175	11.4	94.5
A100/40	052 18 016	97183	100	40	M16	46	970	3.9	340	11.9	94.5
A100/55	052 18 100	92137	100	55	M16	46	300	5.5	200	19.6	94.5
A100/55	052 18 100	90657	100	55	M16	46	500	5.3	380	20.7	94.5
A100/55	052 18 100	92090	100	55	M16	46	900	5.3	700	24.5	94.5
A100/75	052 18 083	90644	100	75	M16	46	260	7.7	200	28.0	94.5
A110/75	052 18 083	91135	110	75	M16	46	420	7.4	380	31.1	94.5
A160/75	052 18 159	90694	160	75	M16	46	1500	7.8	1000	26.5	94.5
A160/114	052 18 178	92001	160	114	M16	44	14200	9.8	1000	31.0	94.5

DRAWING NO.	PART NO.	TYPE	DIMENSIONS (mm)					COMPRESSION		SHEAR		MAX. BOLT TORQUE (Nm)
			ØD	H	Ød	L	I	MAX. LOAD (kg)	MAX. DEFLECTION (mm)	MAX. LOAD (kg)	MAX. DEFLECTION (mm)	
TYPE A HEXAGONAL PLATE												
052 18 895	49002825	45 CR 57	21	20	M6	16	16	14.5	2.4	6	6.3	4.7
052 18 898	49004238	45 CR 57	21	15	M6	16	16	16	1.5	7	4.3	4.7
052 18 895	49011379	60 CR 57	21	20	M6	16	16	24.5	2.4	10	6.3	4.7
052 18 895	49016672	45 NR 97	21	20	M6	16	16	14.5	2.4	6	6.3	4.7
052 18 906	49038588	60 CR 57	21	20	M6	28	16	24.5	2.4	10	6.3	4.7
052 18 920	49039148	45 CR 57	26	34	M8	12	12	25	3.0	95	87.9	11
052 18 921	49039149	45 CR 57	26	34	M8	19	19	25	3.0	95	87.9	11

DRAWING NO.	PART NO.	TYPE	DIMENSIONS (mm)							COMPRESSION		SHEAR		MAX. BOLT TORQUE (Nm)
			ØD	H	Ød	L	I	G	H	MAX. LOAD (kg)	MAX. DEFLECTION (mm)	MAX. LOAD (kg)	MAX. DEFLECTION (mm)	
TYPE A NOTCHED PLATE														
052 18 389	49037737	A105/55	105	55	M16	26	36	8	4	300	5.9	160	19.6	200
052 18 389	49037738	A105/55	105	55	M16	26	36	8	4	410	5.8	220	19.6	200
052 18 389	49037739	A105/55	105	55	M16	26	36	8	4	560	5.8	300	19.6	200
052 18 389	49037740	A105/55	105	55	M16	26	36	8	4	750	5.9	400	19.6	200