



Rammpuffer (GP-RA)

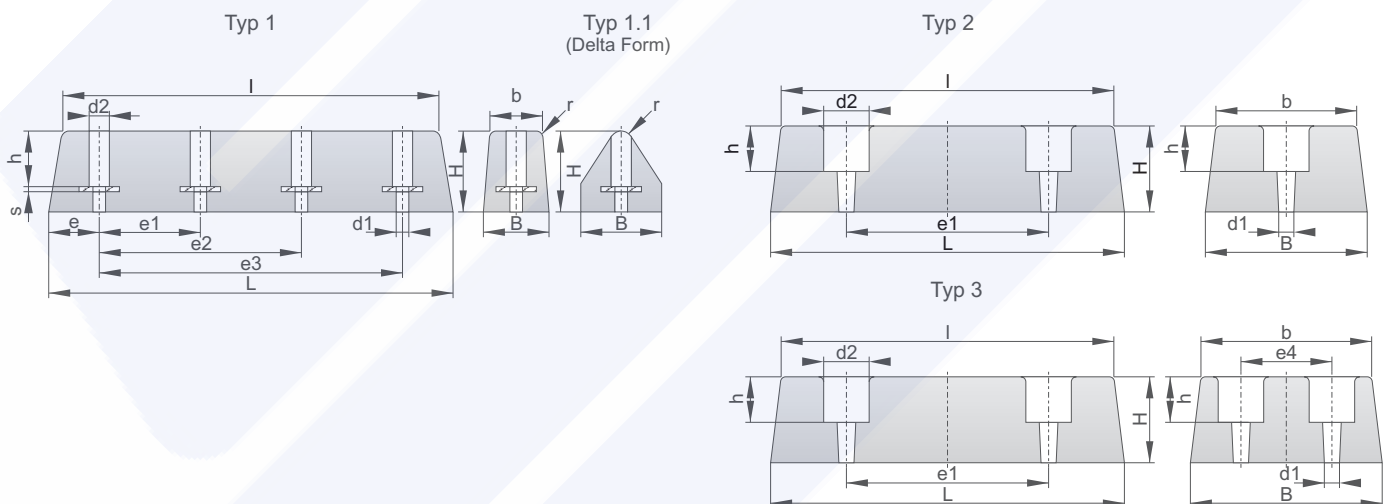
Gummi Metall Puffer als Anfahrerschutz

BESCHREIBUNG / MONTAGE

- Standard Gummi Metall Lager zur Verwendung als Anfahrerschutz

PROGRAMM

- 3 Ausführungen in unterschiedlichsten Abmessungen, Gummiarten und Gummihärten
- Tabelle enthält Standardgrößen, weitere Abmessungen, Gummiausführungen und -härten bitte anfragen



| Typ | Bestell-Nr. | Nenngröße | | | Anz. Bohrg. | Abmessung | | | | | | | | | | Gummiqualität | | |
|-----|-------------------|-----------|--------|--------|-------------|-----------|---------|---------|--------|---------|---------|---------|---------|--------|--------|---------------|--------|----------|
| | | B [mm] | H [mm] | L [mm] | | b [mm] | d1 [mm] | d2 [mm] | e [mm] | e1 [mm] | e2 [mm] | e3 [mm] | e4 [mm] | h [mm] | l [mm] | | r [mm] | s [mm] |
| 1 | GP-RA-035x060x315 | 35 | 60 | 315 | 3 | 34 | 10 | 21 | 32.5 | 125 | 250 | - | - | 40 | 310 | 8 | 3 | EPDM 65° |
| 1 | GP-RA-043x050x125 | 43 | 50 | 125 | 2 | 43 | 10 | 25 | 32.5 | 60 | - | - | - | 31 | 120 | 4 | - | EPDM 65° |
| 1 | GP-RA-048x053x200 | 48 | 53 | 200 | 2 | 40 | 10.5 | 30 | 40 | 120 | - | - | - | 30 | 192 | 3 | 1.5 | EPDM 65° |
| 1 | GP-RA-050x055x400 | 50 | 55 | 400 | 3 | 44 | 10.5 | 30 | 35 | 165 | 330 | - | - | 39 | 394 | 5 | 1.5 | EPDM 65° |
| 1 | GP-RA-052x060x200 | 52 | 60 | 200 | 2 | 48 | 10 | 25 | 40 | 120 | - | - | - | 31 | 196 | 8 | 3 | EPDM 65° |
| 1 | GP-RA-052x080x200 | 52 | 80 | 200 | 2 | 48 | 10 | 25 | 40 | 120 | - | - | - | 53 | 196 | 8 | 3 | EPDM 65° |
| 1 | GP-RA-052x060x300 | 52 | 60 | 300 | 3 | 48 | 10 | 25 | 35 | 115 | 230 | - | - | 39 | 296 | 8 | 3 | EPDM 65° |
| 1 | GP-RA-052x080x300 | 52 | 80 | 300 | 3 | 48 | 10 | 25 | 35 | 115 | 230 | - | - | 53 | 296 | 8 | 3 | EPDM 65° |
| 1 | GP-RA-052x060x400 | 52 | 60 | 400 | 3 | 48 | 10 | 25 | 35 | 165 | 330 | - | - | 31 | 396 | 8 | 3 | EPDM 65° |
| 1 | GP-RA-052x080x400 | 52 | 80 | 400 | 3 | 48 | 10 | 25 | 35 | 165 | 330 | - | - | 53 | 396 | 8 | 3 | EPDM 65° |
| 2 | GP-RA-060x030x126 | 60 | 30 | 126 | 2 | 60 | 8.5 | 24 | 23 | 80 | - | - | - | 15 | 126 | 4 | - | NR 70° |
| 1 | GP-RA-080x070x400 | 80 | 70 | 400 | 3 | 74 | 17 | 35 | 40 | 160 | 320 | - | - | 50 | 390 | 8 | 3 | EPDM 65° |
| 1 | GP-RA-080x097x500 | 80 | 97 | 500 | 3 | 74 | 16 | 25 | 50 | 200 | 400 | - | - | 59 | 490 | 8 | 3 | EPDM 65° |
| 2 | GP-RA-100x032x120 | 100 | 32 | 120 | 2 | 100 | 8.5 | 24 | 25 | 70 | - | - | - | 19 | 120 | 5 | - | NBR 75° |
| 1.1 | GP-RA-110x095x400 | 110 | 95 | 400 | 2 | - | 10.5 | 19 | 25 | 350 | - | - | - | 42 | 400 | 25 | 3 | EPDM 65° |
| 3 | GP-RA-150x080x200 | 150 | 80 | 200 | 4 | 144 | 11 | 27 | 42.5 | 115 | - | - | 75 | 40 | 194 | 8 | 3 | EPDM 65° |
| 2 | GP-RA-250x080x500 | 250 | 80 | 500 | 2 | - | 22 | 62 | 125 | 250 | - | - | - | 50 | 490 | 5 | - | EPDM 65° |
| 2 | GP-RA-250x090x500 | 250 | 90 | 500 | 2 | - | 22 | 62 | 125 | 250 | - | - | - | 50 | - | - | - | EPDM 65° |
| 2 | GP-RA-250x100x450 | 250 | 100 | 450 | 2 | 222 | 23 | 65 | 98 | 254 | - | - | - | 50 | 422 | 5 | - | EPDM 65° |
| 2 | GP-RA-250x140x460 | 250 | 140 | 460 | 2 | - | 22 | 62 | 38 | 385 | - | - | - | 50 | - | - | - | EPDM 65° |
| 2 | GP-RA-250x140x500 | 250 | 140 | 500 | 2 | - | 23 | 70 | 127 | 254 | - | - | - | 50 | 490 | 18 | - | EPDM 65° |