

VT Mount

Type VT has been designed so that upon installation the rubber section is subjected to shear loads, thus providing high deflection even at low loads. Two different parts are available. The VT-upper provides for protection against tension preventing the isolated unit from falling down if overloading occurs.

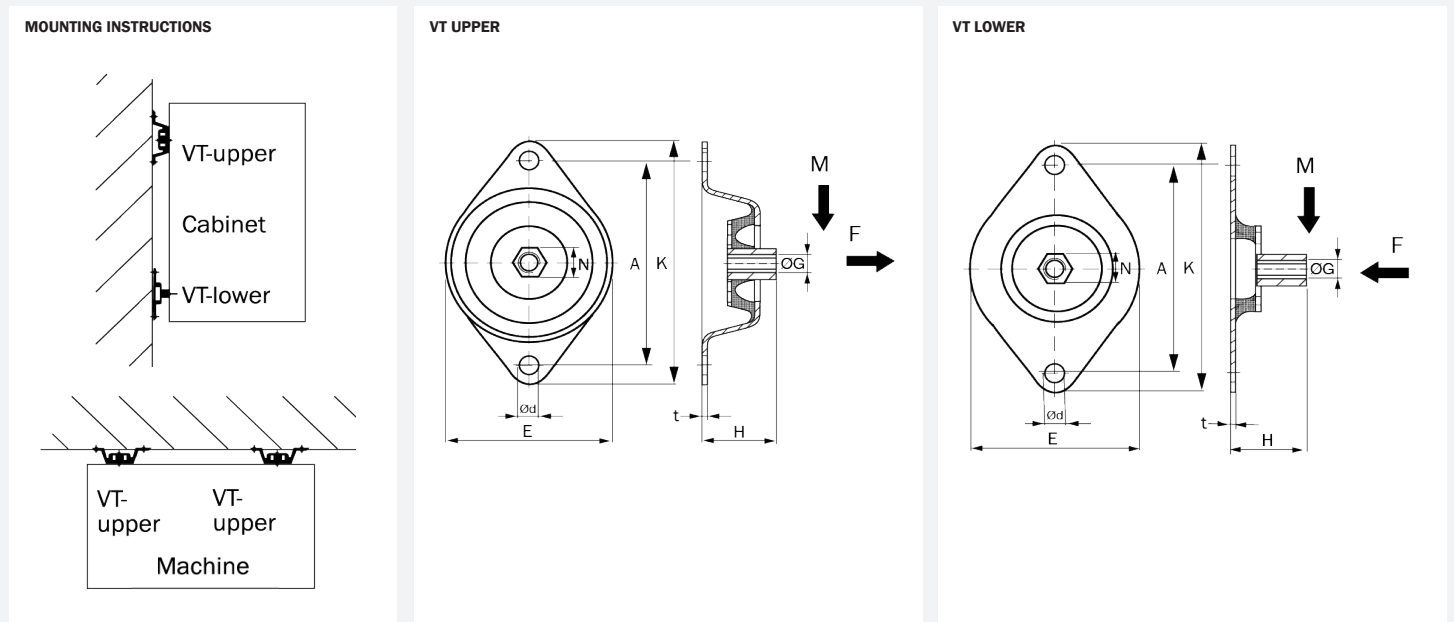
VT-lower is designed to accept horizontal compression loads and allow shear deflection vertically.

Typical Applications Include:

- Instrument cabinets
- Light machinery
- Fans
- Refrigeration units



TECHNICAL DRAWING



PRODUCT DATA

TYPE	DRAWING NO.	PART NO.	COMPOUND	DIMENSIONS (mm)								RADIAL (M) MAX. LOAD (kg)	COMPRESSION (F) MAX. LOAD (kg)								
				E	K	A	H	Ød	N	t	ØG										
VT UPPER 40 °IRHD	17-4378	10-01369	40 °IRHD	75	114	96	33	9	15	1.5	M8	14	30								
VT UPPER 60 °IRHD		10-01370	60 °IRHD									25		70							
VT LOWER 40 °IRHD	17-4349	10-01373	40 °IRHD									75	114	96	33	9	15	1.5	M8	14	30
VT LOWER 60 °IRHD	17-4350	10-00015	60 °IRHD																	25	