

Hydro Mount DL

The Hydro Mount DL, as a hydraulically damping rubber mount, solved the designer's conflict of how to mount a mass that is excited by wide frequency spectrum. Particularly if low frequencies – between 5 Hz and 15 Hz – can occur as the excitation frequency, on the one hand high damping in the natural frequency range of the system, and on the other, a good isolation property above this natural frequency (supercritical mounting) is necessary.

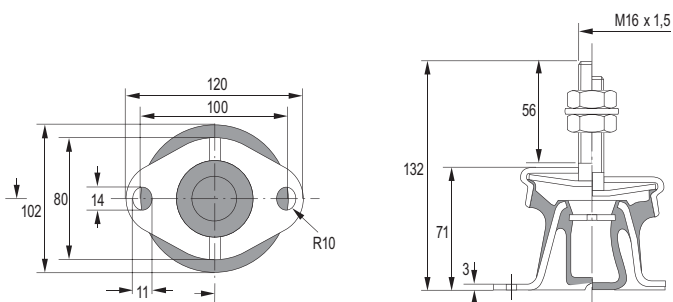
Typical Applications Include:

- Pumps
- Compressors
- Utility vehicle engine mount
- Marine engine mount
- Driver cab mount

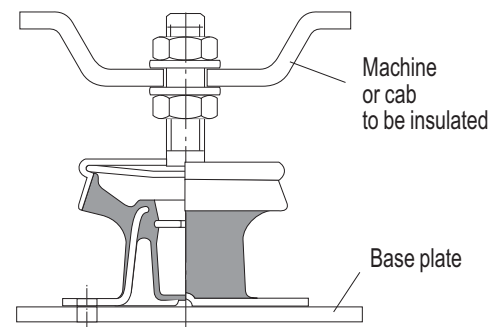


TECHNICAL DRAWING

HYDRO MOUNT DL / HD



TYPICAL FITTING ARRANGEMENT



PRODUCT DATA

DRAWING NO.	PART NO.	TYPE	AXIAL		RADIAL		CORROSION PROTECTION
			STIFFNESS AT SZ=2,5 mm (N/mm)	MAX. LOAD (kg)	STIFFNESS AT SZ=5 mm (N/mm)		
HYDROMOUNT DL							
036 18 026	93638	50 NR 11	142	70	143		Black Coated
036 18 028	93639	55 NR 11	243	120	200		Black Coated
036 18 029	93640	60 NR 11	350	170	230		Black Coated
HYDROMOUNT DL (HD*)							
036 18 702	49022858	50 NR 11	142	70	143		Black Coated
036 18 701	2129442	55 NR 11	243	120	200		Black Coated
036 18 700	511065	60 NR 11	350	170	230		Black Coated

*HD stands for High durability at high amplitudes.